

BORTEK[®]
FLEXIBLE COUPLINGS

**FLEX / REP /
STEP / BR-CLAMP**



www.bortek.com

info / order by mail
bortek@bortek.com.tr

info / order by Fax
+90 / 212 876 55 26

info / order by Phone
+90 / 212 875 99 22





FLEX Couplings

page 04 - 17



REPAIR Couplings

page 18 - 31



STEP Couplings

page 32 - 33



BR Clamps

page 34 - 37

ONE PIECE BODY COUPLING

FLEX – MK OD 26.9 - OD 1026.1



Applications:

For all kind of pipes
Steel, GRP, HDPE, PVC, ductile font, ACP, etc. ..

Technical specification:

Operating pressure up to PN6 / PN10 / PN16 / PN25

Body:

- AISI304
- AISI316
- AISI316Ti
- Carbon steel galvanized

Locking system:

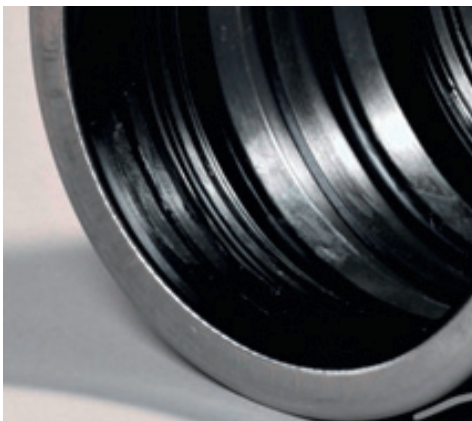
- Steel galvanized - Dacromet 500 (coating with integrated lubricant)
- AISI304
- AISI316

Strip insert (optional) for vacuum support:

- AISI304 or AISI316

Sealing sleeve:

- EPDM -20°C up to 120°C
Medium: water, waste, air, solids, chemical products
- NBR - 20°C up to 80°C
Medium: water, gas, oil, fuel and other hydrocarbons



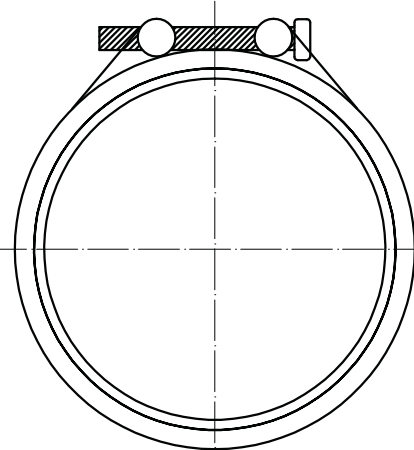
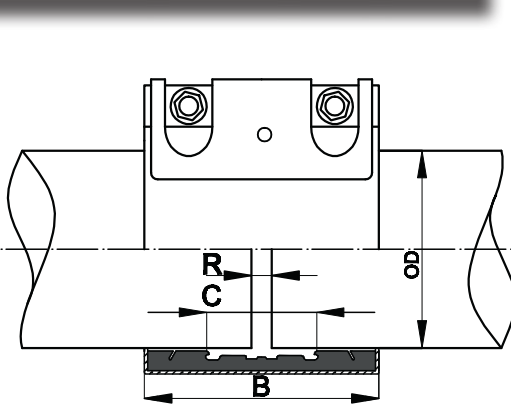
- Material available according DIN 86128, W1, W2, W4, W5
- Safety factor and test pressure according your request
- Progressive seal lips with dual-channels for high reliability of tightness
- Axial movements and angular deflections (axial non restraint)
- Radial deformation and vibration absorber
- On axial movement the rubber seal moves with the pipe without any abrasion or any migration
- Most efficient way to connect two pipes



ONE PIECE BODY COUPLING FLEX – MK OD 26.9 - OD 1026.1

Pipe Outside Diameter	Clamping Range	Nominal Pressure	Dimensions	
			B	C
OD	Min.-Max.	PN	Body width	Gap
mm	mm	bar	mm	mm
26.9	26.0 - 28.0	20	56	20
30.0	29.0 - 31.0	20	56	20
33.7	33.0 - 35.0	20	56	20
38.0	38.0 - 39.0	20	76	36
42.4	42.0 - 45.0	20	76	36
44.5	44.0 - 46.0	20	76	36
48.3	47.0 - 49.5	20	76	36
54.0	52.5 - 55.5	20	76	36
57.0	55.5 - 58.5	20	76	36
60.3	59.0 - 61.5	20	76	36
73.0	71.5 - 74.5	20	105	54
76.1	74.5 - 77.5	20	105	54
84.0	82.5 - 85.5	20	105	54
88.9	87.5 - 90.5	20	105	54
100.6	99.0 - 102.5	20	105	54
101.6	100.0 - 103.5	20	105	54
104.0	102.5 - 105.5	20	105	54
108.0	106.5 - 109.5	20	105	54
114.3	112.5 - 116.0	20	105	54
127.0	125.0 - 129.0	16	120	67
129.0	127.0 - 131.0	16	120	67
133.0	131.0 - 135.0	16	120	67
139.7	138.0 - 141.5	16	120	67
154.0	152.0 - 156.0	16	120	67
159.0	157.0 - 161.0	16	120	67
168.3	166.0 - 179.5	16	120	67
180.0	178 - 182	16	120	67
200.0	198 - 202	16	210	107
219.1	217 - 222	16	210	107
234.0	231 - 236	16	210	107

Pipe Outside Diameter	Clamping Range	Nominal Pressure	Dimensions	
			B	C
OD	Min.-Max.	PN	Body width	Gap
mm	mm	bar	mm	mm
250.0	248 - 253	16	210	107
273.0	270 - 276	16	210	107
288.0	285 - 291	16	210	107
323.9	321 - 327	16	210	107
355.6	353 - 358	16	210	107
378.0	375 - 381	16	210	107
406.4	404 - 409	16	210	107
429.0	426 - 432	16	210	107
456.0	454 - 460	16	210	107
508.0	505 - 511	16	210	107
530.0	527 - 533	16	210	107
568.0	565 - 571	16	210	107
609.6	606 - 613	16	210	107
617.0	614 - 620	16	210	107
635.0	632 - 638	16	210	107
676.0	673 - 679	16	210	107
711.2	708 - 715	16	210	107
719.0	716 - 722	16	210	107
738.0	735 - 741	16	210	107
760.0	758 - 766	16	210	107
808.0	805 - 811	16	210	107
813.0	809 - 817	16	210	107
820.0	817 - 823	16	210	107
842.0	839 - 845	16	210	107
864.0	861 - 867	16	210	107
914.0	910 - 918	16	210	107
924.0	919 - 929	16	210	107
1000.0	995 - 1006	16	210	107
1026.1	1021 - 1031	16	210	107



OD : Pipe Outside Diameter
 B : Body Width
 C : Gap between sealing lips
 Rmax. : Distance between two pipe ends

Remarks:
 Any other size available
 Follow fitting / disassembly instructions

TWO PIECES BODY COUPLING FLEX – OK OD 200.0 - OD 1820.0



Applications:

For all kind of pipes
Steel, GRP, HDPE, PVC, ductile font, ACP, etc. ..

Technical specification:

Operating pressure up to PN6 / PN10 / PN16 / PN25

Body:

- AISI304
- AISI316
- AISI316Ti
- Carbon steel galvanized

Locking system:

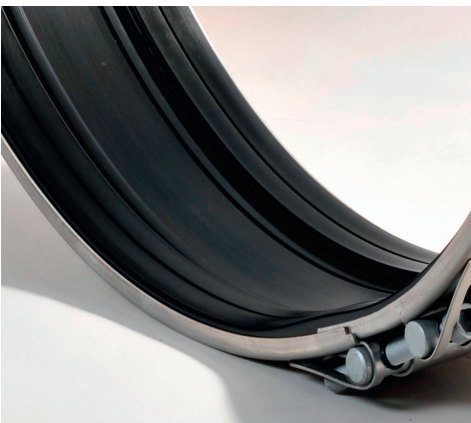
- Steel galvanized - Dacromet 500 (coating with integrated lubricant)
- AISI304
- AISI316

Strip insert (optional) for vacuum support:

- AISI304 or AISI316

Sealing sleeve:

- EPDM -20°C up to 120°C
Medium: water, waste, air, solids, chemical products
- NBR - 20°C up to 80°C
Medium: water, gas, oil, fuel and other hydrocarbons



- Material available according DIN 86128, W1, W2, W4, W5
- Safety factor and test pressure according your request
- Progressive seal lips with dual-channels for high reliability of tightness
- Axial movements and angular deflections (axial non restraint)
- Radial deformation and vibration absorber
- On axial movement the rubber seal moves with the pipe without any abrasion or any migration
- Most efficient way to connect two pipes



TWO PIECES BODY COUPLING FLEX – OK OD 200.0 - OD 1820.0

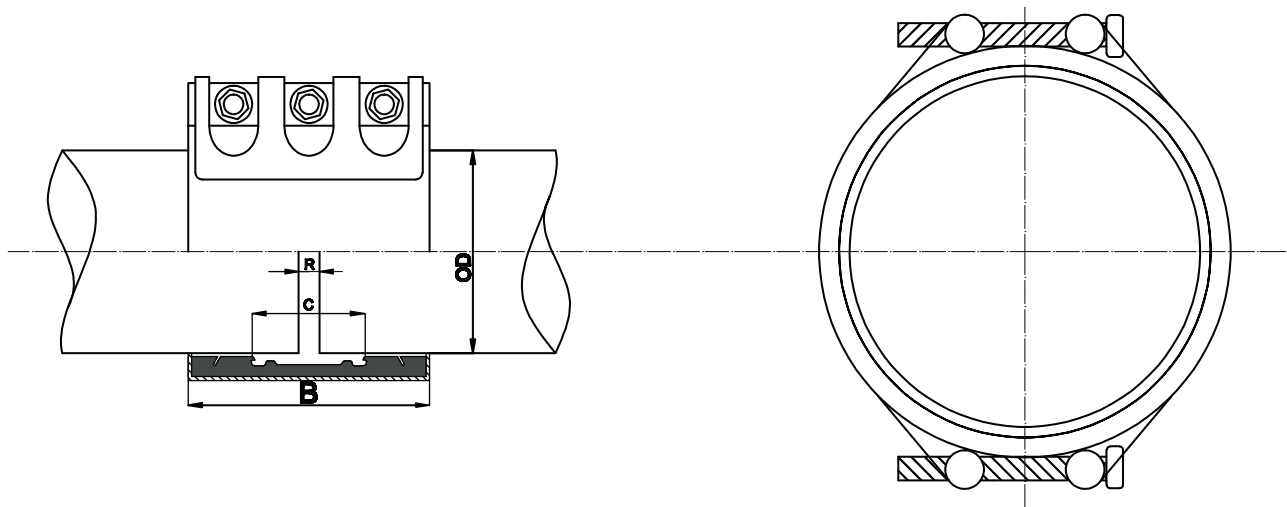
Pipe Outside Diameter	Clamping Range	Nominal Pressure	Dimensions	
			B	C
OD	Min.-Max.	PN	Body width	Gap
mm	mm	bar	mm	mm
200.0	198 - 202	16	210	107
219.1	217 - 222	16	210	107
234.0	231 - 236	16	210	107
250.0	248 - 253	16	210	107
273.0	270 - 276	16	210	107
288.0	285 - 291	16	210	107
323.9	321 - 327	16	210	107
355.6	353 - 358	16	210	107
378.0	375 - 381	16	210	107
406.4	404 - 409	16	210	107
429.0	426 - 432	16	210	107
456.0	454 - 460	16	210	107
508.0	505 - 511	16	210	107
530.0	527 - 533	16	210	107
568.0	565 - 571	16	210	107
609.6	606 - 613	16	210	107
617.0	614 - 620	16	210	107
635.0	632 - 638	16	210	107
676.0	673 - 679	16	210	107
711.2	708 - 715	16	210	107
719.0	716 - 722	16	210	107

Pipe Outside Diameter	Clamping Range	Nominal Pressure	Dimensions	
			B	C
OD	Min.-Max.	PN	Body width	Gap
mm	mm	bar	mm	mm
738.0	735 - 741	16	210	107
760.0	758 - 766	16	210	107
808.0	805 - 811	16	210	107
813.0	809 - 817	16	210	107
820.0	817 - 823	16	210	107
842.0	839 - 845	16	210	107
864.0	861 - 867	16	210	107
914.0	910 - 918	16	210	107
1016.0	1012 - 1020	16	210	107
1026.1	1021 - 1031	16	210	107
1048.0	1043 - 1053	16	210	107
1220.0	1215 - 1224	10	210	107
1229.0	1224 - 1234	10	210	107
1331.0	1326 - 1336	10	210	107
1340.0	1425 - 1425	10	210	107
1434.0	1429 - 1439	10	210	107
1535.0	1530 - 1540	10	210	107
1620.0	1615 - 1625	10	210	107
1637.0	1632 - 1642	10	210	107
1820.0	1815 - 1825	10	210	107

Remarks:

Any other size available

Follow fitting / disassembly instructions



- OD : Pipe Outside Diameter
- B : Body Width
- C : Gap between sealing lips
- Rmax. : Distance between two pipe ends

THREE PIECES BODY COUPLING FLEX – BK OD 1841.7 - OD 4000.0



Applications:

For all kind of pipes
Steel, GRP, HDPE, PVC, ductile font, ACP, etc. ..

Technical specification:

Operating pressure up to PN6 / PN10 / PN16

Body:

- AISI304
- AISI316
- AISI316Ti
- Carbon steel galvanized

Locking system:

- Steel galvanized - Dacromet 500 (coating with integrated lubricant)
- AISI304
- AISI316

Strip insert (optional) for vacuum support:

- AISI304 or AISI316

Sealing sleeve:

- EPDM -20°C up to 120°C
Medium: water, waste, air, solids, chemical products
- NBR - 20°C up to 80°C
Medium: water, gas, oil, fuel and other hydrocarbons



- Material available according DIN 86128, W1, W2, W4, W5
- Safety factor and test pressure according your request
- Progressive seal lips with dual-channels for high reliability of tightness
- Axial movements and angular deflections (axial non restraint)
- Radial deformation and vibration absorber
- On axial movement the rubber seal moves with the pipe without any abrasion or any migration
- Most efficient way to connect two pipes



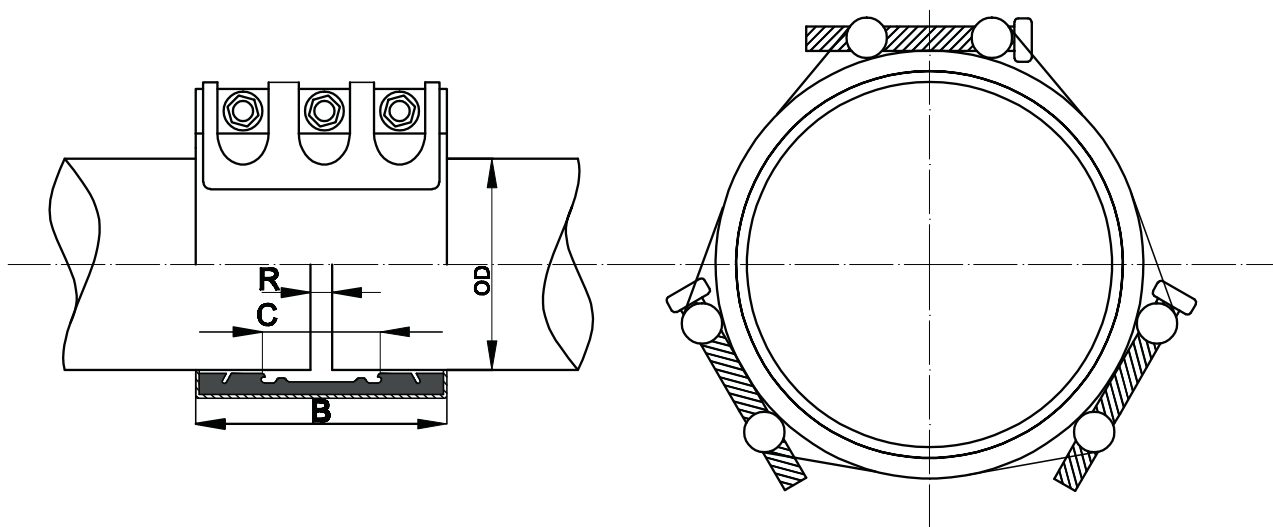
THREE PIECES BODY COUPLING FLEX – BK OD 1841.7 - OD 4000.0

Pipe Outside Diameter	Clamping Range	Nominal Pressure	Dimensions	
			B	C
OD	Min.-Max.	PN	Body width	Gap
mm	mm	bar	mm	mm
1841.7	1836 - 1846	10	210	107
2020.0	2015 - 2025	10	210	107
2046.0	2041 - 2051	10	210	107
2220.0	2215 - 2225	6	210	107
2420.0	2415 - 2425	6	210	107
2453.0	2448 - 2458	6	210	107
2500.0	2495 - 2505	4	210	107
2600.0	2595 - 2605	4	210	107
2794.0	2789 - 2799	4	210	107
3000.0	2995 - 3005	2	210	107
3302.0	3296 - 3308	2	210	107
3400.0	3395 - 3405	2	210	107
3500.0	3495 - 3505	2	210	107
3556.0	3595 - 3605	2	210	107
3810.0	3804 - 3816	2	210	107
4000.0	3995 - 4005	2	210	107
4000.0	3995 - 4005	2	210	107

Remarks:

Any other size available

Follow fitting / disassembly instructions



- OD : Pipe Outside Diameter
- B : Body Width
- C : Gap between sealing lips
- Rmax. : Distance between two pipe ends



Applications:

For all kind of pipes
Steel, GRP, HDPE, PVC, ductile font, ACP, etc. ..

Technical specification:

Operating pressure up to PN6 / PN10 / PN16 / PN25

Body:

- AISI304
- AISI316
- AISI316Ti
- Carbon steel galvanized

Locking system:

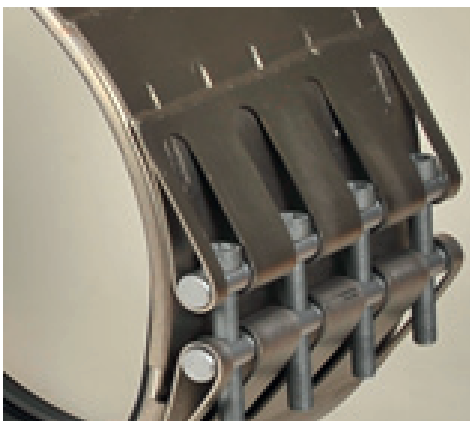
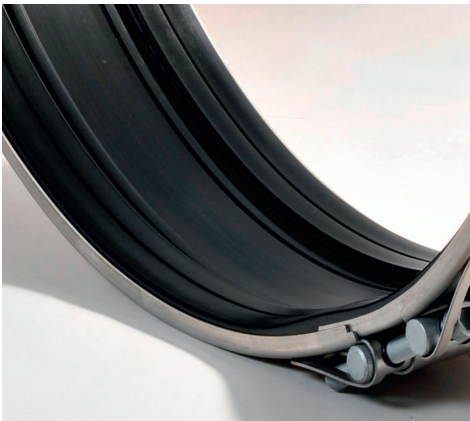
- Steel galvanized - Dacromet 500 (coating with integrated lubricant)
- AISI304
- AISI316

Strip insert (optional) for vacuum support:

- AISI304 or AISI316

Sealing sleeve:

- EPDM -20°C up to 120°C
Medium: water, waste, air, solids, chemical products
- NBR - 20°C up to 80°C
Medium: water, gas, oil, fuel and other hydrocarbons

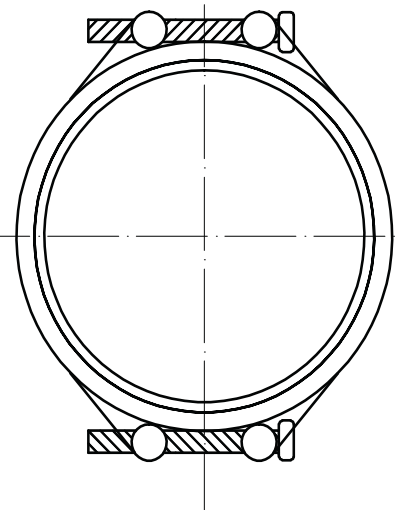
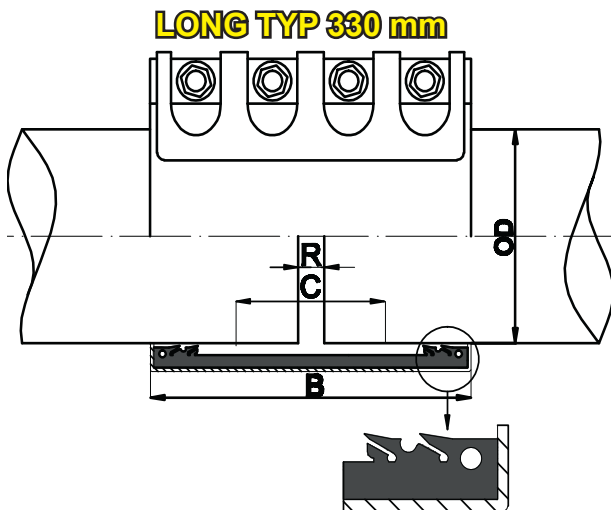


- Material available according DIN 86128, W1, W2, W4, W5
- Safety factor and test pressure according your request
- Progressive seal lips with dual-channels for high reliability of tightness
- Axial movements and angular deflections (axial non restraint)
- Radial deformation and vibration absorber
- On axial movement the rubber seal moves with the pipe without any abrasion or any migration
- Most efficient way to connect two pipes

TWO PIECES BODY COUPLING / LONG TYP 330 mm
FLEX – GK OD 200.0 - OD 1820.0

Pipe Outside Diameter	Clamping Range	Nominal Pressure	Dimensions	
			B	C
OD	Min.-Max.	PN	Body width	Gap
mm	mm	bar	mm	mm
200.0	198 - 202	16	330	200
219.1	217 - 222	16	330	200
234.0	231 - 236	16	330	200
250.0	248 - 253	16	330	200
273.0	270 - 276	16	330	200
288.0	285 - 291	16	330	200
323.9	321 - 327	16	330	200
355.6	353 - 358	16	330	200
378.0	375 - 381	16	330	200
406.4	404 - 409	16	330	200
429.0	426 - 432	16	330	200
456.0	454 - 460	16	330	200
508.0	505 - 511	16	330	200
530.0	527 - 533	16	330	200
568.0	565 - 571	16	330	200
609.6	606 - 613	16	330	200
617.0	614 - 620	16	330	200
635.0	632 - 638	16	330	200
676.0	673 - 679	16	330	200
711.2	708 - 715	16	330	200
719.0	716 - 722	16	330	200

Pipe Outside Diameter	Clamping Range	Nominal Pressure	Dimensions	
			B	C
OD	Min.-Max.	PN	Body width	Gap
mm	mm	bar	mm	mm
738.0	735 - 741	16	330	200
760.0	758 - 766	16	330	200
808.0	805 - 811	16	330	200
813.0	809 - 817	16	330	200
820.0	817 - 823	16	330	200
842.0	839 - 845	16	330	200
864.0	861 - 867	16	330	200
914.0	910 - 918	16	330	200
1016.0	1012 - 1020	16	330	200
1026.0	1021 - 1031	16	330	200
1048.0	1043 - 1053	16	330	200
1220.0	1215 - 1224	10	330	200
1229.0	1224 - 1234	10	330	200
1331.0	1326 - 1336	10	330	200
1340.0	1425 - 1425	10	330	200
1434.0	1429 - 1439	10	330	200
1535.0	1530 - 1540	10	330	200
1620.0	1615 - 1625	10	330	200
1637.0	1632 - 1642	10	330	200
1820.0	1815 - 1825	10	330	200



OD : Pipe Outside Diameter
 B : Body Width
 C : Gap between sealing lips
 Rmax. : Distance between two pipe ends

Remarks:
 Any other size available
 Follow fitting / disassembly instructions



Applications:

For all kind of pipes
Steel, GRP, HDPE, PVC, ductile font, ACP, etc. ..

Technical specification:

Operating pressure up to PN6 / PN10 / PN16

Body:

- AISI304
- AISI316
- AISI316Ti
- Carbon steel galvanized

Locking system:

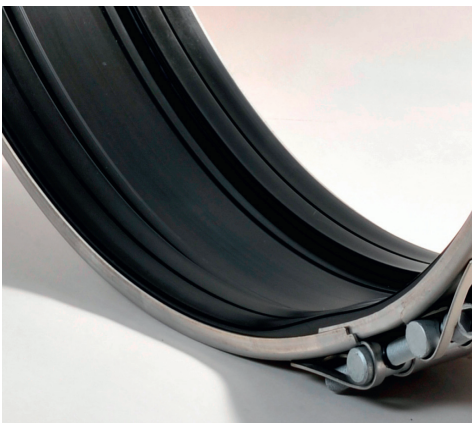
- Steel galvanized - Dacromet 500 (coating with integrated lubricant)
- AISI304
- AISI316

Strip insert (optional) for vacuum support:

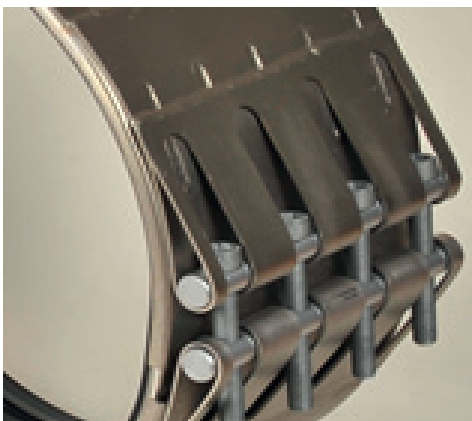
- AISI304 or AISI316

Sealing sleeve:

- EPDM -20°C up to 120°C
Medium: water, waste, air, solids, chemical products
- NBR - 20°C up to 80°C
Medium: water, gas, oil, fuel and other hydrocarbons

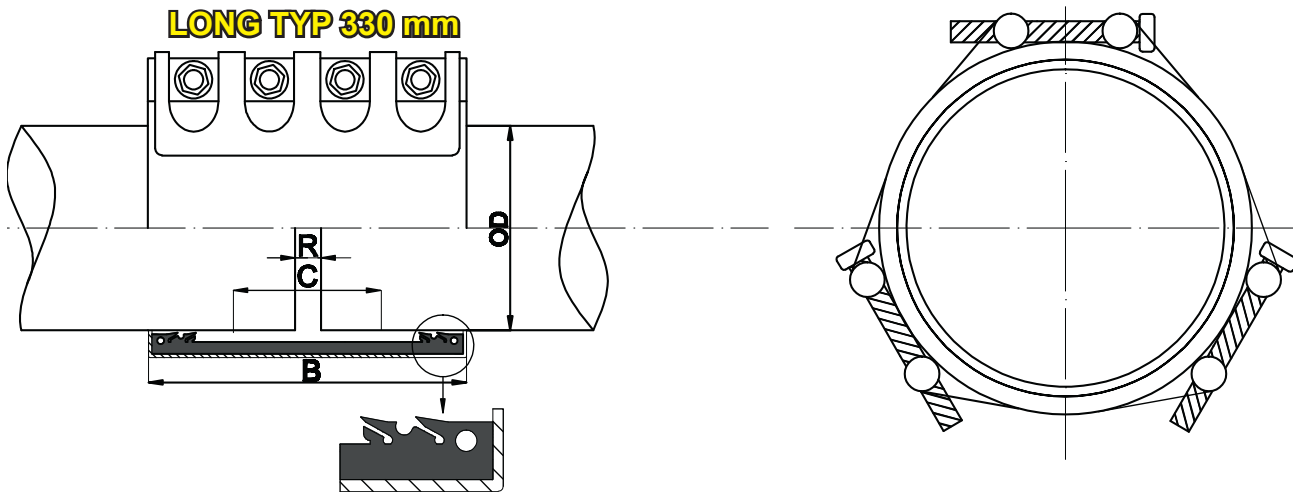


- Material available according DIN 86128, W1, W2, W4, W5
- Safety factor and test pressure according your request
- Progressive seal lips with dual-channels for high reliability of tightness
- Axial movements and angular deflections (axial non restraint)
- Radial deformation and vibration absorber
- On axial movement the rubber seal moves with the pipe without any abrasion or any migration
- Most efficient way to connect two pipes



THREE PIECES BODY COUPLING / LONG TYP 330 mm
FLEX – GK OD 1841.7 - OD 4000.0

Pipe Outside Diameter	Clamping Range	Nominal Pressure	Dimensions	
			B	C
OD	Min.-Max.	PN	Body width	Gap
mm	mm	bar	mm	mm
1841.7	1836 - 1846	10	330	205
2020.0	2015 - 2025	10	330	205
2046.0	2041 - 2051	10	330	205
2220.0	2215 - 2225	6	330	205
2420.0	2415 - 2425	6	330	205
2453.0	2448 - 2458	6	330	205
2500.0	2495 - 2505	4	330	205
2600.0	2595 - 2605	4	330	205
2794.0	2789 - 2799	4	330	205
3000.0	2995 - 3005	2	330	205
3302.0	3296 - 3308	2	330	205
3400.0	3395 - 3405	2	330	205
3500.0	3495 - 3505	2	330	205
3556.0	3595 - 3605	2	330	205
3810.0	3804 - 3816	2	330	205
4000.0	3995 - 4005	2	330	205



- OD : Pipe Outside Diameter
- B : Body Width
- C : Gap between sealing lips
- Rmax. : Distance between two pipe ends

Remarks:
 Any other size available
 Follow fitting / disassembly instructions



Applications:

For all kind of pipes
Steel, GRP, HDPE, PVC, ductile font, ACP, etc. ..

Technical specification:

Operating pressure up to PN6 / PN10 / PN16 / PN25

Body:

- AISI304
- AISI316
- AISI316Ti
- Carbon steel galvanized

Locking system:

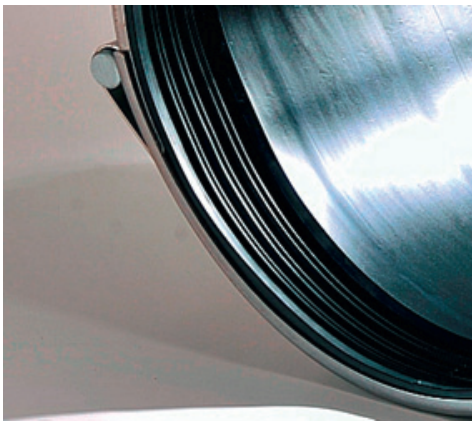
- Steel galvanized - Dacromet 500
(coating with integrated lubricant)
- AISI304
- AISI316

Strip insert (optional) for vacuum support:

- AISI304 or AISI316

Sealing sleeve:

- EPDM -20°C up to 120°C
Medium: water, waste, air, solids,
chemical products
- NBR - 20°C up to 80°C
Medium: water, gas, oil, fuel and
other hydrocarbons



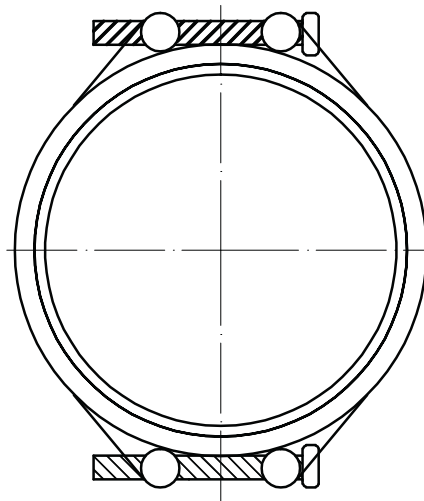
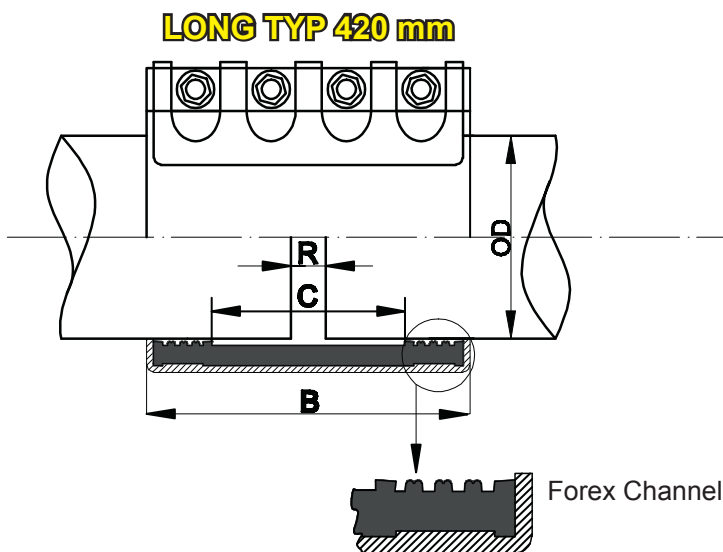
- Material available according DIN 86128,
W1, W2, W4, W5
- Safety factor and test pressure according
your request
- Progressive seal lips with dual-channels for
high reliability of tightness
- Axial movements and angular deflections
(axial non restraint)
- Radial deformation and vibration absorber
- On axial movement the rubber seal moves
with the pipe without any abrasion or any
migration
- Most efficient way to connect two pipes



TWO PIECES BODY COUPLING / EXTRA LONG TYP 420 mm
FLEX – GK OD 200.0 - OD 1820.0

Pipe Outside Diameter	Clamping Range	Nominal Pressure	Dimensions	
			B	C
OD	Min.-Max.	PN	Body width	Gap
mm	mm	bar	mm	mm
200.0	198 - 202	16	420	270
219.1	217 - 222	16	420	270
234.0	231 - 236	16	420	270
250.0	248 - 253	16	420	270
273.0	270 - 276	16	420	270
288.0	285 - 291	16	420	270
323.9	321 - 327	16	420	270
355.6	353 - 358	16	420	270
378.0	375 - 381	16	420	270
406.4	404 - 409	16	420	270
429.0	426 - 432	16	420	270
456.0	454 - 460	16	420	270
508.0	505 - 511	16	420	270
530.0	527 - 533	16	420	270
568.0	565 - 571	16	420	270
609.6	606 - 613	16	420	270
617.0	614 - 620	16	420	270
635.0	632 - 638	16	420	270
676.0	673 - 679	16	420	270
711.2	708 - 715	16	420	270
719.0	716 - 722	16	420	270

Pipe Outside Diameter	Clamping Range	Nominal Pressure	Dimensions	
			B	C
OD	Min.-Max.	PN	Body width	Gap
mm	mm	bar	mm	mm
738.0	735 - 741	16	420	270
760.0	758 - 766	16	420	270
808.0	805 - 811	16	420	270
813.0	809 - 817	16	420	270
820.0	817 - 823	16	420	270
842.0	839 - 845	16	420	270
864.0	861 - 867	16	420	270
914.0	910 - 918	16	420	270
1016.0	1012 - 1020	16	420	270
1026.0	1021 - 1031	16	420	270
1048.0	1043 - 1053	16	420	270
1220.0	1215 - 1224	10	420	270
1229.0	1224 - 1234	10	420	270
1331.0	1326 - 1336	10	420	270
1340.0	1425 - 1425	10	420	270
1434.0	1429 - 1439	10	420	270
1535.0	1530 - 1540	10	420	270
1620.0	1615 - 1625	10	420	270
1637.0	1632 - 1642	10	420	270
1820.0	1815 - 1825	10	420	270



OD : Pipe Outside Diameter
 B : Body Width
 C : Gap between sealing lips
 Rmax. : Distance between two pipe ends

Remarks:
 Any other size available
 Follow fitting / disassembly instructions



Applications:

For all kind of pipes
Steel, GRP, HDPE, PVC, ductile font, ACP, etc. ..

Technical specification:

Operating pressure up to PN6 / PN10 / PN16

Body:

- AISI304
- AISI316
- AISI316Ti
- Carbon steel galvanized

Locking system:

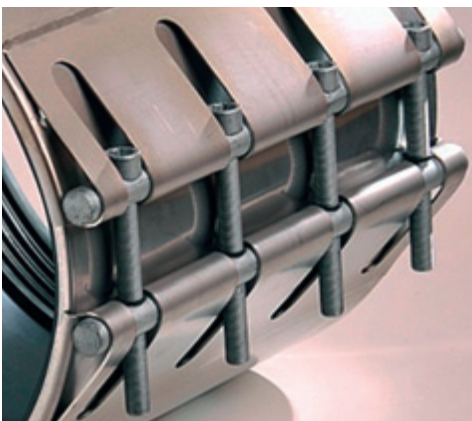
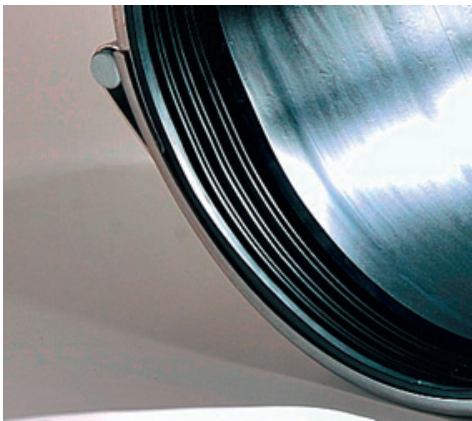
- Steel galvanized - Dacromet 500 (coating with integrated lubricant)
- AISI304
- AISI316

Strip insert (optional) for vacuum support:

- AISI304 or AISI316

Sealing sleeve:

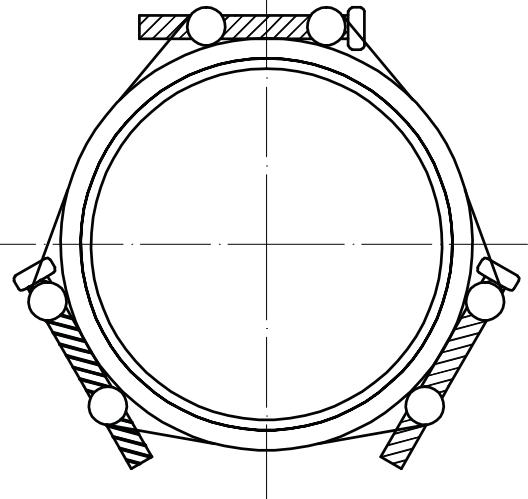
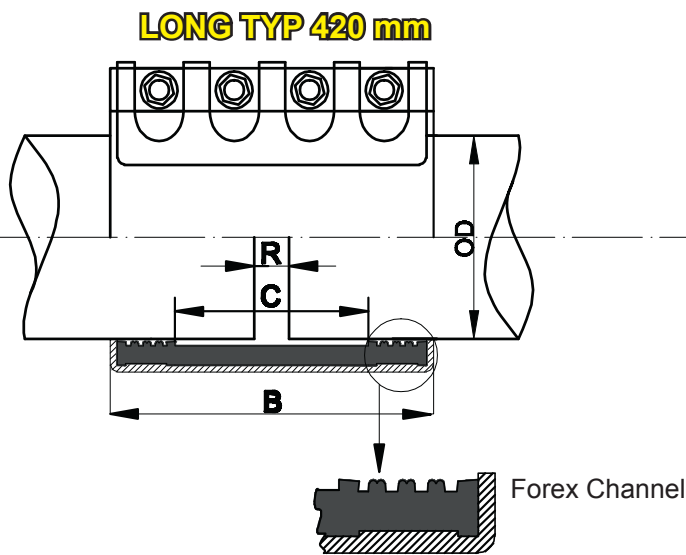
- EPDM -20°C up to 120°C
Medium: water, waste, air, solids, chemical products
- NBR - 20°C up to 80°C
Medium: water, gas, oil, fuel and other hydrocarbons



- Material available according DIN 86128, W1, W2, W4, W5
- Safety factor and test pressure according your request
- Progressive seal lips with dual-channels for high reliability of tightness
- Axial movements and angular deflections (axial non restraint)
- Radial deformation and vibration absorber
- On axial movement the rubber seal moves with the pipe without any abrasion or any migration
- Most efficient way to connect two pipes

THREE PIECES BODY COUPLING / EXTRA LONG TYP 420 mm
FLEX – GK OD 1841.7 - OD 4000.0

Pipe Outside Diameter	Clamping Range	Nominal Pressure	Dimensions	
			B	C
OD	Min.-Max.	PN	Body width	Gap
mm	mm	bar	mm	mm
1841.7	1836 - 1846	10	420	270
2020.0	2015 - 2025	10	420	270
2046.0	2041 - 2051	10	420	270
2220.0	2215 - 2225	6	420	270
2420.0	2415 - 2425	6	420	270
2453.0	2448 - 2458	6	420	270
2500.0	2495 - 2505	4	420	270
2600.0	2595 - 2605	4	420	270
2794.0	2789 - 2799	4	420	270
3000.0	2995 - 3005	2	420	270
3302.0	3296 - 3308	2	420	270
3400.0	3395 - 3405	2	420	270
3500.0	3495 - 3505	2	420	270
3556.0	3595 - 3605	2	420	270
3810.0	3804 - 3816	2	420	270
4000.0	3995 - 4005	2	420	270



OD : Pipe Outside Diameter
 B : Body Width
 C : Gap between sealing lips
 Rmax. : Distance between two pipe ends

Remarks:
 Any other size available
 Follow fitting / disassembly instructions



Applications:

For all kind of pipes
Steel, GRP, HDPE, PVC, ductile font, ACP, etc. ..

Technical specification:

Operating pressure up to PN6 / PN10 / PN16 / PN25

Body:

- AISI304
- AISI316
- AISI316Ti
- Carbon steel galvanized

Locking system:

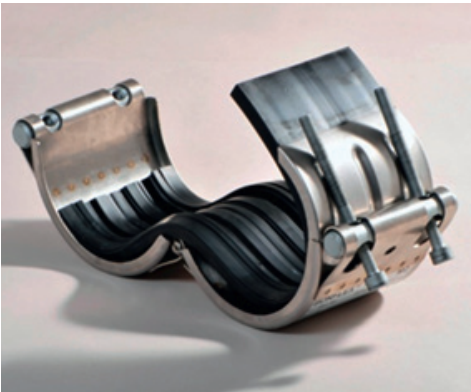
- Steel galvanized - Dacromet 500 (coating with integrated lubricant)
- AISI304
- AISI316

Strip insert (optional) for vacuum support:

- AISI304 or AISI316

Sealing sleeve:

- EPDM -20°C up to 120°C
Medium: water, waste, air, solids, chemical products
- NBR - 20°C up to 80°C
Medium: water, gas, oil, fuel and other hydrocarbons



- Material available according DIN 86128, W1, W2, W4, W5
- Safety factor and test pressure according your request
- Progressive seal lips with dual-channels for high reliability of tightness
- Axial movements and angular deflections (axial non restraint)
- Radial deformation and vibration absorber
- On axial movement the rubber seal moves with the pipe without any abrasion or any migration
- Most efficient way to connect two pipes

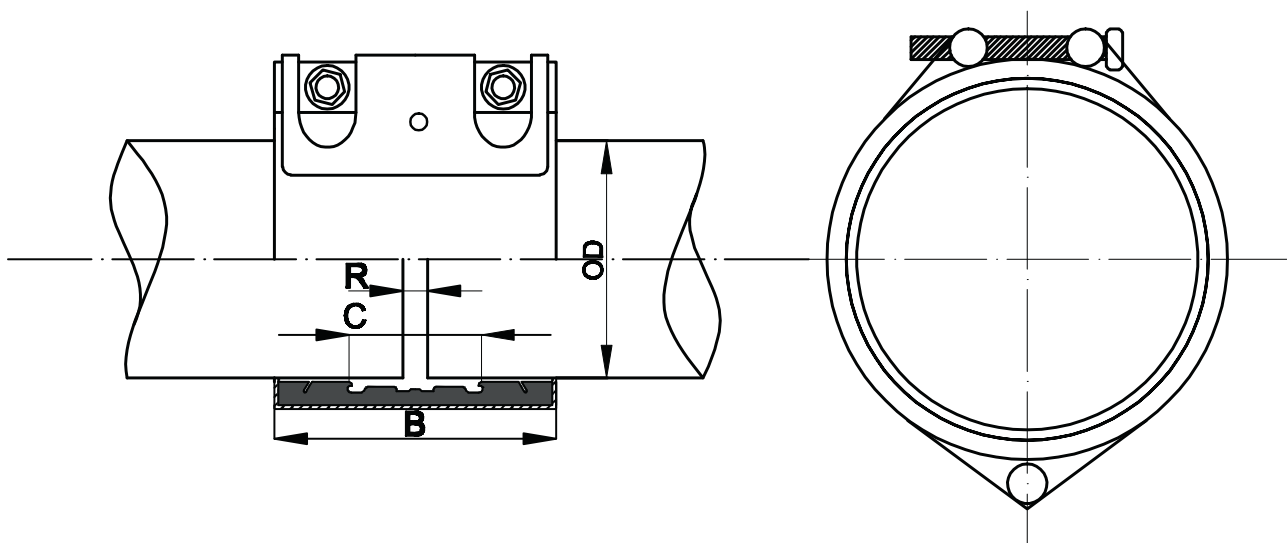


HINGED REPAIR COUPLING / OPEN FLEX

REP – MK OD 26.9 - OD 676

Pipe Outside Diameter	Clamping Range	Nominal Pressure	Dimensions	
			B	C
OD	Min.-Max.	PN	Body width	Gap
mm	mm	bar	mm	mm
26.9	26.0 - 28.0	20	56	20
30.0	29.0 - 31.0	20	56	20
33.7	33.0 - 35.0	20	56	20
38.0	38.0 - 39.0	20	76	36
42.4	42.0 - 45.0	20	76	36
44.5	44.0 - 46.0	20	76	36
48.3	47.0 - 49.5	20	76	36
54.0	52.5 - 55.5	20	76	36
57.0	55.5 - 58.5	20	76	36
60.3	59.0 - 61.5	20	76	36
73.0	71.5 - 74.5	20	105	54
76.1	74.5 - 77.5	20	105	54
84.0	82.5 - 85.5	20	105	54
88.9	87.5 - 90.5	20	105	54
100.6	99.0 - 102.5	20	105	54
101.6	100.0 - 103.5	20	105	54
104.0	102.5 - 105.5	20	105	54
108.0	106.5 - 109.5	20	105	54
114.3	112.5 - 116.0	20	105	54
127.0	125.0 - 129.0	16	120	67
129.0	127.0 - 131.0	16	120	67
133.0	131.0 - 135.0	16	120	67
139.7	138.0 - 141.5	16	120	67

Pipe Outside Diameter	Clamping Range	Nominal Pressure	Dimensions	
			B	C
OD	Min.-Max.	PN	Body width	Gap
mm	mm	bar	mm	mm
154.0	152.0 - 156.0	16	120	67
159.0	157.0 - 161.0	16	120	67
168.3	166.0 - 179.5	16	120	67
180.0	178 - 182	16	120	67
200.0	198 - 202	16	210	107
219.1	217 - 222	16	210	107
234.0	231 - 236	16	210	107
250.0	248 - 253	16	210	107
273.0	270 - 276	16	210	107
288.0	285 - 291	16	210	107
323.9	321 - 327	16	210	107
355.6	353 - 358	16	210	107
378.0	375 - 381	16	210	107
406.4	404 - 409	16	210	107
429.0	426 - 432	16	210	107
456.0	454 - 460	16	210	107
508.0	505 - 511	16	210	107
530.0	527 - 533	16	210	107
568.0	565 - 571	16	210	107
609.6	606 - 613	16	210	107
617.0	614 - 620	16	210	107
635.0	632 - 638	16	210	107
676.0	673 - 679	16	210	107



OD : Pipe Outside Diameter
 B : Body Width
 C : Gap between sealing lips
 Rmax. : Distance between two pipe ends

Remarks:
 Any other size available
 Follow fitting / disassembly instructions

TWO PIECES REPAIR COUPLING / OPEN FLEX REP – OK OD 200.0 - OD 1820.0



Applications:

For all kind of pipes
Steel, GRP, HDPE, PVC, ductile font, ACP, etc. ..

Technical specification:

Operating pressure up to PN6 / PN10 / PN16 / PN25

Body:

- AISI304
- AISI316
- AISI316Ti
- Carbon steel galvanized

Locking system:

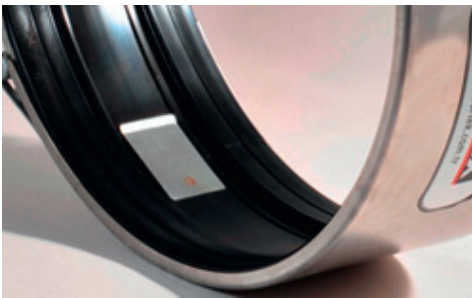
- Steel galvanized - Dacromet 500 (coating with integrated lubricant)
- AISI304
- AISI316

Strip insert (optional) for vacuum support:

- AISI304 or AISI316

Sealing sleeve:

- EPDM -20°C up to 120°C
Medium: water, waste, air, solids, chemical products
- NBR - 20°C up to 80°C
Medium: water, gas, oil, fuel and other hydrocarbons



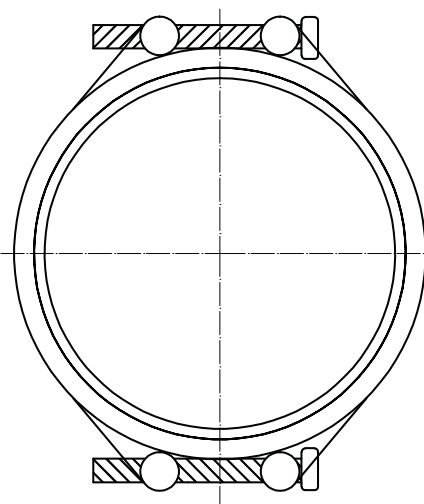
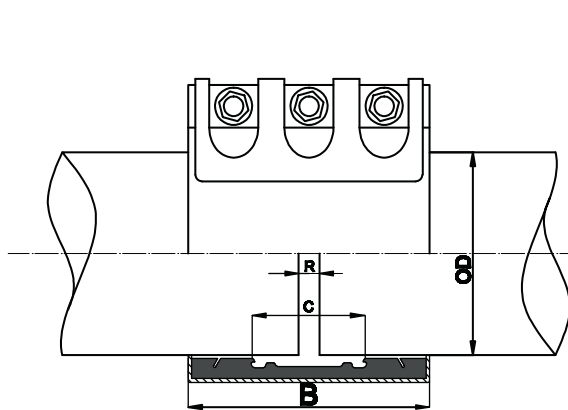
- Material available according DIN 86128, W1, W2, W4, W5
- Safety factor and test pressure according your request
- Progressive seal lips with dual-channels for high reliability of tightness
- Axial movements and angular deflections (axial non restraint)
- Radial deformation and vibration absorber
- On axial movement the rubber seal moves with the pipe without any abrasion or any migration
- Most efficient way to connect two pipes



TWO PIECES REPAIR COUPLING / OPEN FLEX REP – OK OD 200.0 - OD 1820.0

Pipe Outside Diameter	Clamping Range	Nominal Pressure	Dimensions	
			B	C
OD	Min.-Max.	PN	Body width	Gap
mm	mm	bar	mm	mm
200.0	198 - 202	16	210	107
219.1	217 - 222	16	210	107
234.0	231 - 236	16	210	107
250.0	248 - 253	16	210	107
273.0	270 - 276	16	210	107
288.0	285 - 291	16	210	107
323.9	321 - 327	16	210	107
355.6	353 - 358	16	210	107
378.0	375 - 381	16	210	107
406.4	404 - 409	16	210	107
429.0	426 - 432	16	210	107
456.0	454 - 460	16	210	107
508.0	505 - 511	16	210	107
530.0	527 - 533	16	210	107
568.0	565 - 571	16	210	107
609.6	606 - 613	16	210	107
617.0	614 - 620	16	210	107
635.0	632 - 638	16	210	107
676.0	673 - 679	16	210	107
711.2	708 - 715	16	210	107
719.0	716 - 722	16	210	107

Pipe Outside Diameter	Clamping Range	Nominal Pressure	Dimensions	
			B	C
OD	Min.-Max.	PN	Body width	Gap
mm	mm	bar	mm	mm
738.0	735 - 741	16	210	107
760.0	758 - 766	16	210	107
808.0	805 - 811	16	210	107
813.0	809 - 817	16	210	107
820.0	817 - 823	16	210	107
842.0	839 - 845	16	210	107
864.0	861 - 867	16	210	107
914.0	910 - 918	16	210	107
1016.0	1012 - 1020	16	210	107
1026.0	1021 - 1031	16	210	107
1048.0	1043 - 1053	16	210	107
1220.0	1215 - 1224	10	210	107
1229.0	1224 - 1234	10	210	107
1331.0	1326 - 1336	10	210	107
1340.0	1425 - 1425	10	210	107
1434.0	1429 - 1439	10	210	107
1535.0	1530 - 1540	10	210	107
1620.0	1615 - 1625	10	210	107
1637.0	1632 - 1642	10	210	107
1820.0	1815 - 1825	10	210	107



OD : Pipe Outside Diameter
 B : Body Width
 C : Gap between sealing lips
 Rmax. : Distance between two pipe ends

Remarks:
 Any other size available
 Follow fitting / disassembly instructions



Applications:

For all kind of pipes
Steel, GRP, HDPE, PVC, ductile font, ACP, etc. ..

Technical specification:

Operating pressure up to PN6 / PN10 / PN16 / PN25

Body:

- AISI304
- AISI316
- AISI316Ti
- Carbon steel galvanized

Locking system:

- Steel galvanized - Dacromet 500 (coating with integrated lubricant)
- AISI304
- AISI316

Strip insert (optional) for vacuum support:

- AISI304 or AISI316

Sealing sleeve:

- EPDM -20°C up to 120°C
Medium: water, waste, air, solids, chemical products
- NBR - 20°C up to 80°C
Medium: water, gas, oil, fuel and other hydrocarbons



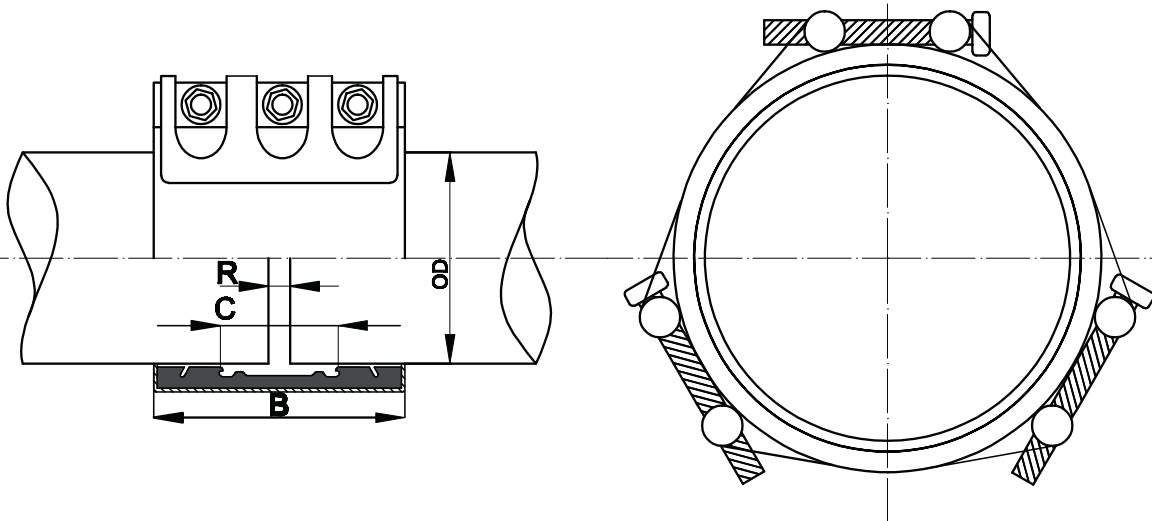
- Material available according DIN 86128, W1, W2, W4, W5
- Safety factor and test pressure according your request
- Progressive seal lips with dual-channels for high reliability of tightness
- Axial movements and angular deflections (axial non restraint)
- Radial deformation and vibration absorber
- On axial movement the rubber seal moves with the pipe without any abrasion or any migration
- Most efficient way to connect two pipes

www.repaircoupling.com

THREE PIECES REPAIR COUPLING / OPEN FLEX

REP – BK OD 1841.7 - OD 4000.0

Pipe Outside Diameter	Clamping Range	Nominal Pressure	Dimensions	
			B	C
OD	Min.-Max.	PN	Body width	Gap
mm	mm	bar	mm	mm
1841.7	1836 - 1846	10	210	107
2020.0	2015 - 2025	10	210	107
2046.0	2041 - 2051	10	210	107
2220.0	2215 - 2225	6	210	107
2420.0	2415 - 2425	6	210	107
2453.0	2448 - 2458	6	210	107
2500.0	2495 - 2505	4	210	107
2600.0	2595 - 2605	4	210	107
2794.0	2789 - 2799	4	210	107
3000.0	2995 - 3005	2	210	107
3302.0	3296 - 3308	2	210	107
3400.0	3395 - 3405	2	210	107
3500.0	3495 - 3505	2	210	107
3556.0	3595 - 3605	2	210	107
3810.0	3804 - 3816	2	210	107
4000.0	3995 - 4005	2	210	107



OD : Pipe Outside Diameter
 B : Body Width
 C : Gap between sealing lips
 Rmax. : Distance between two pipe ends

Remarks:
 Any other size available
 Follow fitting / disassembly instructions



Applications:

For all kind of pipes
Steel, GRP, HDPE, PVC, ductile font, ACP, etc. ..

Technical specification:

Operating pressure up to PN6 / PN10 / PN16 / PN25

Body:

- AISI304
- AISI316
- AISI316Ti
- Carbon steel galvanized

Locking system:

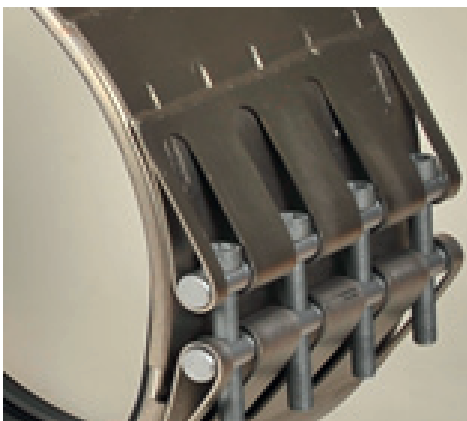
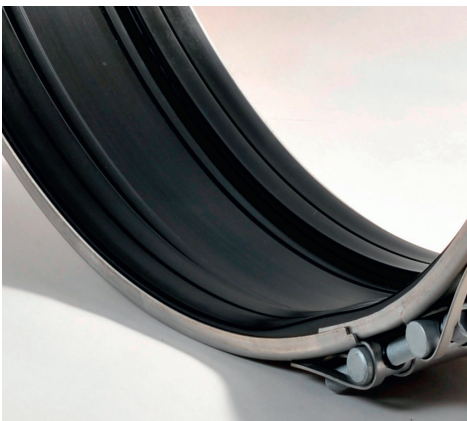
- Steel galvanized - Dacromet 500 (coating with integrated lubricant)
- AISI304
- AISI316

Strip insert (optional) for vacuum support:

- AISI304 or AISI316

Sealing sleeve:

- EPDM -20°C up to 120°C
Medium: water, waste, air, solids, chemical products
- NBR - 20°C up to 80°C
Medium: water, gas, oil, fuel and other hydrocarbons

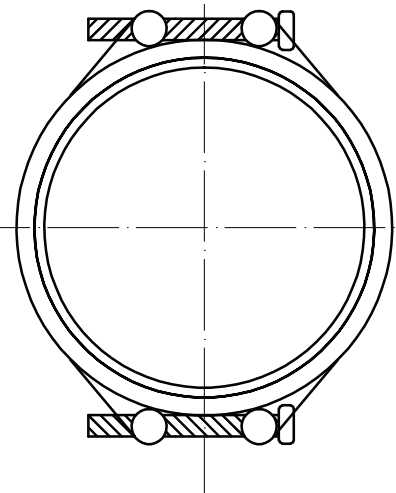
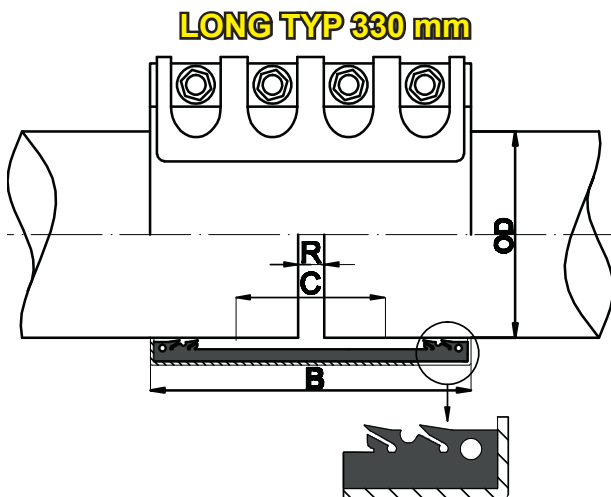


- Material available according DIN 86128, W1, W2, W4, W5
- Safety factor and test pressure according your request
- Progressive seal lips with dual-channels for high reliability of tightness
- Axial movements and angular deflections (axial non restraint)
- Radial deformation and vibration absorber
- On axial movement the rubber seal moves with the pipe without any abrasion or any migration
- Most efficient way to connect two pipes

TWO PIECES REPAIR BODY COUPLING / OPEN FLEX / LONG TYP 330 mm
REP – GK OD 200.0 - OD 1820.0

Pipe Outside Diameter	Clamping Range	Nominal Pressure	Dimensions	
			B	C
OD	Min.-Max.	PN	Body width	Gap
mm	mm	bar	mm	mm
200.0	198 - 202	16	330	200
219.1	217 - 222	16	330	200
234.0	231 - 236	16	330	200
250.0	248 - 253	16	330	200
273.0	270 - 276	16	330	200
288.0	285 - 291	16	330	200
323.9	321 - 327	16	330	200
355.6	353 - 358	16	330	200
378.0	375 - 381	16	330	200
406.4	404 - 409	16	330	200
429.0	426 - 432	16	330	200
456.0	454 - 460	16	330	200
508.0	505 - 511	16	330	200
530.0	527 - 533	16	330	200
568.0	565 - 571	16	330	200
609.6	606 - 613	16	330	200
617.0	614 - 620	16	330	200
635.0	632 - 638	16	330	200
676.0	673 - 679	16	330	200
711.2	708 - 715	16	330	200
719.0	716 - 722	16	330	200

Pipe Outside Diameter	Clamping Range	Nominal Pressure	Dimensions	
			B	C
OD	Min.-Max.	PN	Body width	Gap
mm	mm	bar	mm	mm
738.0	735 - 741	16	330	200
760.0	758 - 766	16	330	200
808.0	805 - 811	16	330	200
813.0	809 - 817	16	330	200
820.0	817 - 823	16	330	200
842.0	839 - 845	16	330	200
864.0	861 - 867	16	330	200
914.0	910 - 918	16	330	200
1016.0	1012 - 1020	16	330	200
1026.0	1021 - 1031	16	330	200
1048.0	1043 - 1053	16	330	200
1220.0	1215 - 1224	10	330	200
1229.0	1224 - 1234	10	330	200
1331.0	1326 - 1336	10	330	200
1340.0	1425 - 1425	10	330	200
1434.0	1429 - 1439	10	330	200
1535.0	1530 - 1540	10	330	200
1620.0	1615 - 1625	10	330	200
1637.0	1632 - 1642	10	330	200
1820.0	1815 - 1825	10	330	200



OD : Pipe Outside Diameter
 B : Body Width
 C : Gap between sealing lips
 Rmax. : Distance between two pipe ends

Remarks:
 Any other size available
 Follow fitting / disassembly instructions



Applications:

For all kind of pipes
Steel, GRP, HDPE, PVC, ductile font, ACP, etc. ..

Technical specification:

Operating pressure up to PN6 / PN10 / PN16

Body:

- AISI304
- AISI316
- AISI316Ti
- Carbon steel galvanized

Locking system:

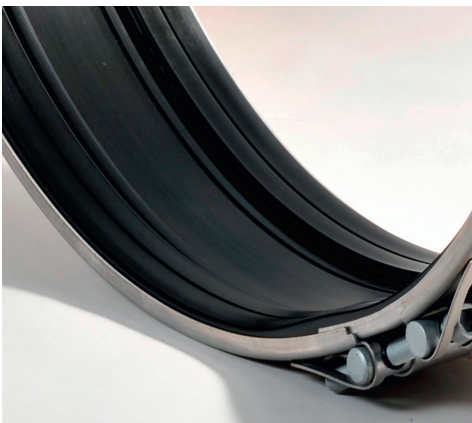
- Steel galvanized - Dacromet 500 (coating with integrated lubricant)
- AISI304
- AISI316

Strip insert (optional) for vacuum support:

- AISI304 or AISI316

Sealing sleeve:

- EPDM -20°C up to 120°C
Medium: water, waste, air, solids, chemical products
- NBR - 20°C up to 80°C
Medium: water, gas, oil, fuel and other hydrocarbons

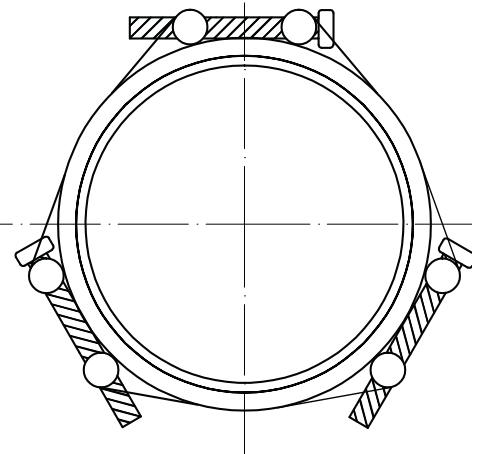
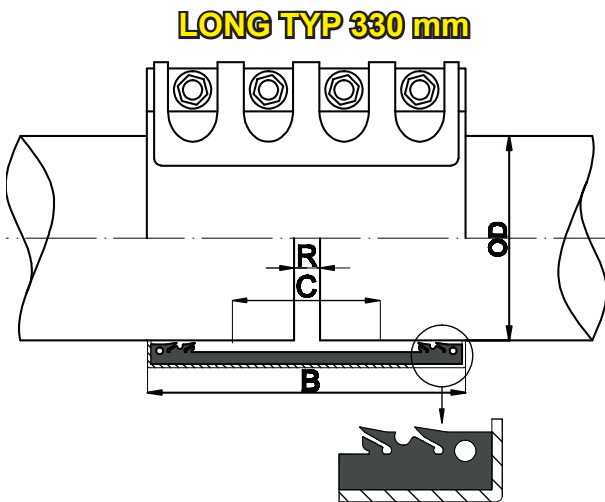


- Material available according DIN 86128, W1, W2, W4, W5
- Safety factor and test pressure according your request
- Progressive seal lips with dual-channels for high reliability of tightness
- Axial movements and angular deflections (axial non restraint)
- Radial deformation and vibration absorber
- On axial movement the rubber seal moves with the pipe without any abrasion or any migration
- Most efficient way to connect two pipes



THREE PIECES BODY REPAIR COUPLING / OPEN FLEX / LONG TYP 330 mm
REP – BK OD 1841.7 - OD 4000.0

Pipe Outside Diameter	Clamping Range	Nominal Pressure	Dimensions	
			B	C
OD	Min.-Max.	PN	Body width	Gap
mm	mm	bar	mm	mm
1841.7	1836 - 1846	10	330	205
2020.0	2015 - 2025	10	330	205
2046.0	2041 - 2051	10	330	205
2220.0	2215 - 2225	6	330	205
2420.0	2415 - 2425	6	330	205
2453.0	2448 - 2458	6	330	205
2500.0	2495 - 2505	4	330	205
2600.0	2595 - 2605	4	330	205
2794.0	2789 - 2799	4	330	205
3000.0	2995 - 3005	2	330	205
3302.0	3296 - 3308	2	330	205
3400.0	3395 - 3405	2	330	205
3500.0	3495 - 3505	2	330	205
3556.0	3595 - 3605	2	330	205
3810.0	3804 - 3816	2	330	205
4000.0	3995 - 4005	2	330	205



OD : Pipe Outside Diameter
 B : Body Width
 C : Gap between sealing lips
 Rmax. : Distance between two pipe ends

Remarks:
 Any other size available
 Follow fitting / disassembly instructions



Applications:

For all kind of pipes
Steel, GRP, HDPE, PVC, ductile font, ACP, etc. ..

Technical specification:

Operating pressure up to PN6 / PN10 / PN16 / PN25

Body:

- AISI304
- AISI316
- AISI316Ti
- Carbon steel galvanized

Locking system:

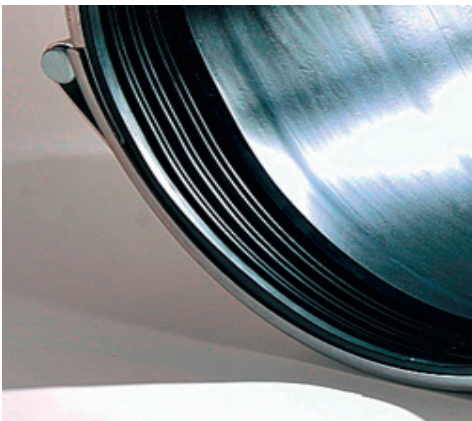
- Steel galvanized - Dacromet 500 (coating with integrated lubricant)
- AISI304
- AISI316

Strip insert (optional) for vacuum support:

- AISI304 or AISI316

Sealing sleeve:

- EPDM -20°C up to 120°C
Medium: water, waste, air, solids, chemical products
- NBR - 20°C up to 80°C
Medium: water, gas, oil, fuel and other hydrocarbons



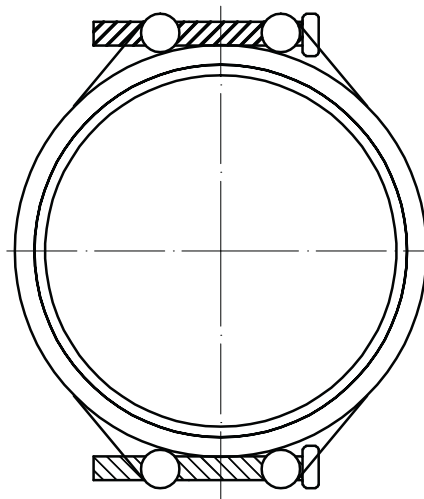
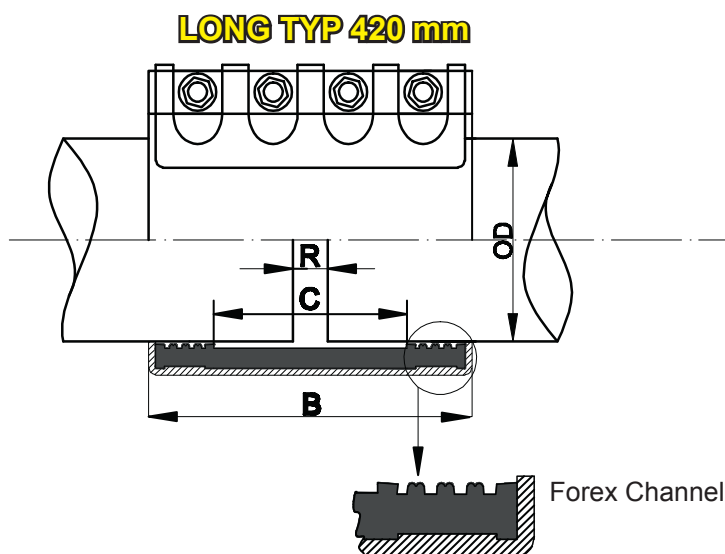
- Material available according DIN 86128, W1, W2, W4, W5
- Safety factor and test pressure according your request
- Progressive seal lips with dual-channels for high reliability of tightness
- Axial movements and angular deflections (axial non restraint)
- Radial deformation and vibration absorber
- On axial movement the rubber seal moves with the pipe without any abrasion or any migration
- Most efficient way to connect two pipes



TWO PIECES BODY REPAIR COUPLING / OPEN FLEX / EXTRA LONG TYP 420 mm
REP – GK OD 200.0 - OD 1820.0

Pipe Outside Diameter	Clamping Range	Nominal Pressure	Dimensions	
			B	C
OD	Min.-Max.	PN	Body width	Gap
mm	mm	bar	mm	mm
200.0	198 - 202	16	420	270
219.1	217 - 222	16	420	270
234.0	231 - 236	16	420	270
250.0	248 - 253	16	420	270
273.0	270 - 276	16	420	270
288.0	285 - 291	16	420	270
323.9	321 - 327	16	420	270
355.6	353 - 358	16	420	270
378.0	375 - 381	16	420	270
406.4	404 - 409	16	420	270
429.0	426 - 432	16	420	270
456.0	454 - 460	16	420	270
508.0	505 - 511	16	420	270
530.0	527 - 533	16	420	270
568.0	565 - 571	16	420	270
609.6	606 - 613	16	420	270
617.0	614 - 620	16	420	270
635.0	632 - 638	16	420	270
676.0	673 - 679	16	420	270
711.2	708 - 715	16	420	270
719.0	716 - 722	16	420	270

Pipe Outside Diameter	Clamping Range	Nominal Pressure	Dimensions	
			B	C
OD	Min.-Max.	PN	Body width	Gap
mm	mm	bar	mm	mm
738.0	735 - 741	16	420	270
760.0	758 - 766	16	420	270
808.0	805 - 811	16	420	270
813.0	809 - 817	16	420	270
820.0	817 - 823	16	420	270
842.0	839 - 845	16	420	270
864.0	861 - 867	16	420	270
914.0	910 - 918	16	420	270
1016.0	1012 - 1020	16	420	270
1026.0	1021 - 1031	16	420	270
1048.0	1043 - 1053	16	420	270
1220.0	1215 - 1224	10	420	270
1229.0	1224 - 1234	10	420	270
1331.0	1326 - 1336	10	420	270
1340.0	1425 - 1425	10	420	270
1434.0	1429 - 1439	10	420	270
1535.0	1530 - 1540	10	420	270
1620.0	1615 - 1625	10	420	270
1637.0	1632 - 1642	10	420	270
1820.0	1815 - 1825	10	420	270



- OD : Pipe Outside Diameter
- B : Body Width
- C : Gap between sealing lips
- Rmax. : Distance between two pipe ends

Remarks:
 Any other size available
 Follow fitting / disassembly instructions



Applications:

For all kind of pipes
Steel, GRP, HDPE, PVC, ductile font, ACP, etc. ..

Technical specification:

Operating pressure up to PN6 / PN10 / PN16

Body:

- AISI304
- AISI316
- AISI316Ti
- Carbon steel galvanized

Locking system:

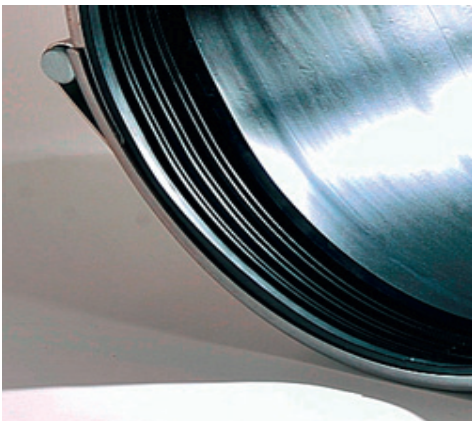
- Steel galvanized - Dacromet 500 (coating with integrated lubricant)
- AISI304
- AISI316

Strip insert (optional) for vacuum support:

- AISI304 or AISI316

Sealing sleeve:

- EPDM -20°C up to 120°C
Medium: water, waste, air, solids, chemical products
- NBR - 20°C up to 80°C
Medium: water, gas, oil, fuel and other hydrocarbons

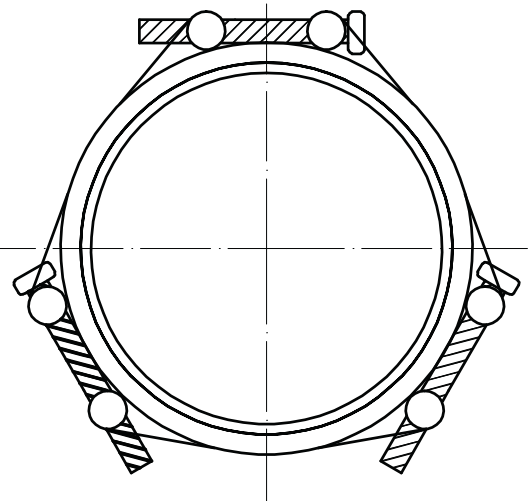
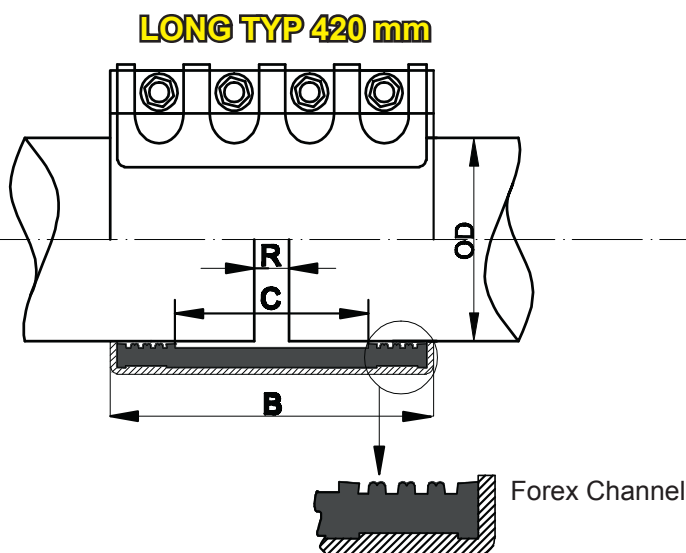


- Material available according DIN 86128, W1, W2, W4, W5
- Safety factor and test pressure according your request
- Progressive seal lips with dual-channels for high reliability of tightness
- Axial movements and angular deflections (axial non restraint)
- Radial deformation and vibration absorber
- On axial movement the rubber seal moves with the pipe without any abrasion or any migration
- Most efficient way to connect two pipes



THREE PIECES BODY REPAIR COUPLING/OPEN FLEX/EXTRA LONG TYP 420mm
REP – BK OD 1841.7 - OD 4000.0

Pipe Outside Diameter	Clamping Range	Nominal Pressure	Dimensions	
			B	C
OD	Min.-Max.	PN	Body width	Gap
mm	mm	bar	mm	mm
1841.7	1836 - 1846	10	420	270
2020.0	2015 - 2025	10	420	270
2046.0	2041 - 2051	10	420	270
2220.0	2215 - 2225	6	420	270
2420.0	2415 - 2425	6	420	270
2453.0	2448 - 2458	6	420	270
2500.0	2495 - 2505	4	420	270
2600.0	2595 - 2605	4	420	270
2794.0	2789 - 2799	4	420	270
3000.0	2995 - 3005	2	420	270
3302.0	3296 - 3308	2	420	270
3400.0	3395 - 3405	2	420	270
3500.0	3495 - 3505	2	420	270
3556.0	3595 - 3605	2	420	270
3810.0	3804 - 3816	2	420	270
4000.0	3995 - 4005	2	420	270



- OD : Pipe Outside Diameter
- B : Body Width
- C : Gap between sealing lips
- Rmax. : Distance between two pipe ends

Remarks:
 Any other size available
 Follow fitting / disassembly instructions

STEP COUPLING FOR DIFFERENT DIAMETER OF PIPES BORSTEP DN 200.0 - DN 4000.0



Applications:

For all kind of pipes
Steel, GRP, HDPE, PVC, ductile font, ACP, etc. ..

Technical specification:

Operating pressure up to PN6 / PN10 / PN16 / PN25

Body:

- AISI304
- AISI316
- AISI316Ti
- Carbon steel galvanized

Locking system:

- Steel galvanized - Dacromet 500 (coating with integrated lubricant)
- AISI304
- AISI316

Strip insert (optional) for vacuum support:

- AISI304 or AISI316

Sealing sleeve:

- EPDM -20°C up to 120°C
Medium: water, waste, air, solids, chemical products
- NBR - 20°C up to 80°C
Medium: water, gas, oil, fuel and other hydrocarbons

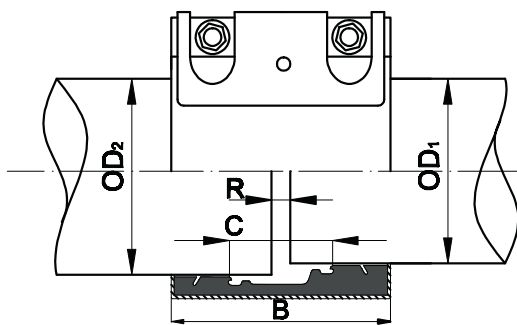


- Material available according DIN 86128, W1, W2, W4, W5
- Safety factor and test pressure according your request
- Progressive seal lips with dual-channels for high reliability of tightness
- Axial movements and angular deflections (axial non restraint)
- Radial deformation and vibration absorber
- On axial movement the rubber seal moves with the pipe without any abrasion or any migration
- Most efficient way to connect two pipes

STEP COUPLING FOR DIFFERENT DIAMETER OF PIPES BORSTEP DN 200.0 - DN 4000.0

Clamping Range		Nominal Pressure	Dimensions	
OD - Min.	OD - Max.		B	C
mm	mm	bar	Body width mm	Gap mm
219	239	16	210	107
234	254	16	210	107
250	270	16	210	107
273	293	16	210	107
288	308	16	210	107
323	343	16	210	107
355	375	16	210	107
378	398	16	210	107
406	426	16	210	107
429	449	16	210	107
456	476	16	210	107
508	528	16	210	107
530	550	16	210	107
568	588	16	210	107
610	639,6	16	210	107
617	637	16	210	107
635	655	16	210	107
676	696	16	210	107
711	731,2	16	210	107
719	739	16	210	107
738	758	16	210	107
760	780	16	210	107
808	828	16	210	107
813	833	16	210	107
820	840	16	210	107
842	862	16	210	107
864	884	16	210	107
914	934	16	210	107
924	944	16	210	107

Clamping Range		Nominal Pressure	Dimensions	
OD - Min.	OD - Max.		B	C
mm	mm	bar	Body width mm	Gap mm
1016	1036	16	210	107
1026	1046	16	210	107
1048	1068	16	210	107
1220	1240	10	210	107
1229	1249	10	210	107
1331	1351	10	210	107
1420	1440	10	210	107
1434	1454	10	210	107
1535	1555	10	210	107
1620	1640	10	210	107
1637	1657	10	210	107
1820	1840	10	210	107
1841	1871	10	210	107
2020	2050	10	210	107
2046	2076	10	210	107
2220	2250	6	210	107
2420	2450	6	210	107
2453	2483	6	210	107
2500	2530	4	210	107
2600	2630	4	210	107
2794	2824	4	210	107
3000	3030	2	210	107
3302	3332	2	210	107
3400	3430	2	210	107
3500	3530	2	210	107
3556	3586	2	210	107
3810	3840	2	210	107
4000	4030	2	210	107

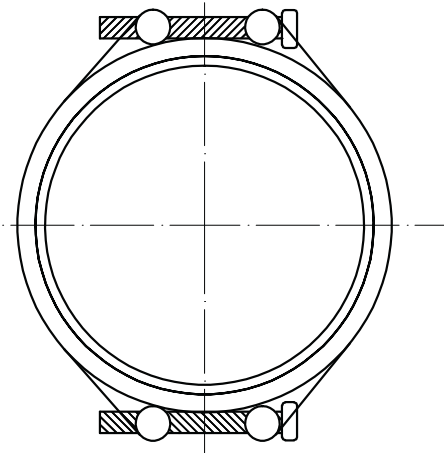


$OD_1 \neq OD_2$

Remarks:

Any other size available

Follow fitting / disassembly instructions



OD₁ : Small outside diameter

OD₂ : Wide outside diameter

B : Body Width

C : Gap between sealing lips

Rmax. : Distance between two pipe ends



Applications:

For all kind of pipes
Steel, GRP, HDPE, PVC, ductile font, ACP, etc. ..

Technical specification:

Operating pressure up to PN6 / PN10 / PN16 / PN25

Body:

- AISI304
- AISI316
- AISI316Ti
- Carbon steel galvanized

Locking system:

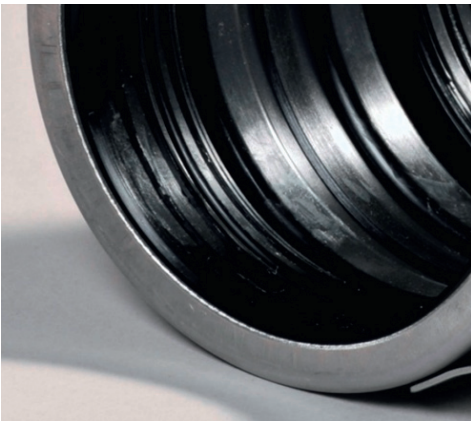
- Steel galvanized - Dacromet 500 (coating with integrated lubricant)
- AISI304
- AISI316

Strip insert (optional) for vacuum support:

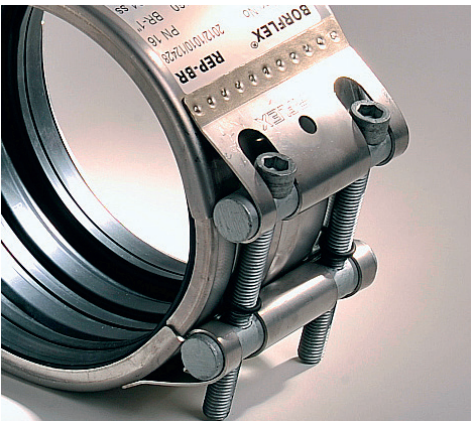
- AISI304 or AISI316

Sealing sleeve:

- EPDM -20°C up to 120°C
Medium: water, waste, air, solids, chemical products
- NBR - 20°C up to 80°C
Medium: water, gas, oil, fuel and other hydrocarbons



- Material available according DIN 86128, W1, W2, W4, W5
- Safety factor and test pressure according your request
- Progressive seal lips with dual-channels for high reliability of tightness
- Axial movements and angular deflections (axial non restraint)
- Radial deformation and vibration absorber
- On axial movement the rubber seal moves with the pipe without any abrasion or any migration
- Most efficient way to connect two pipes



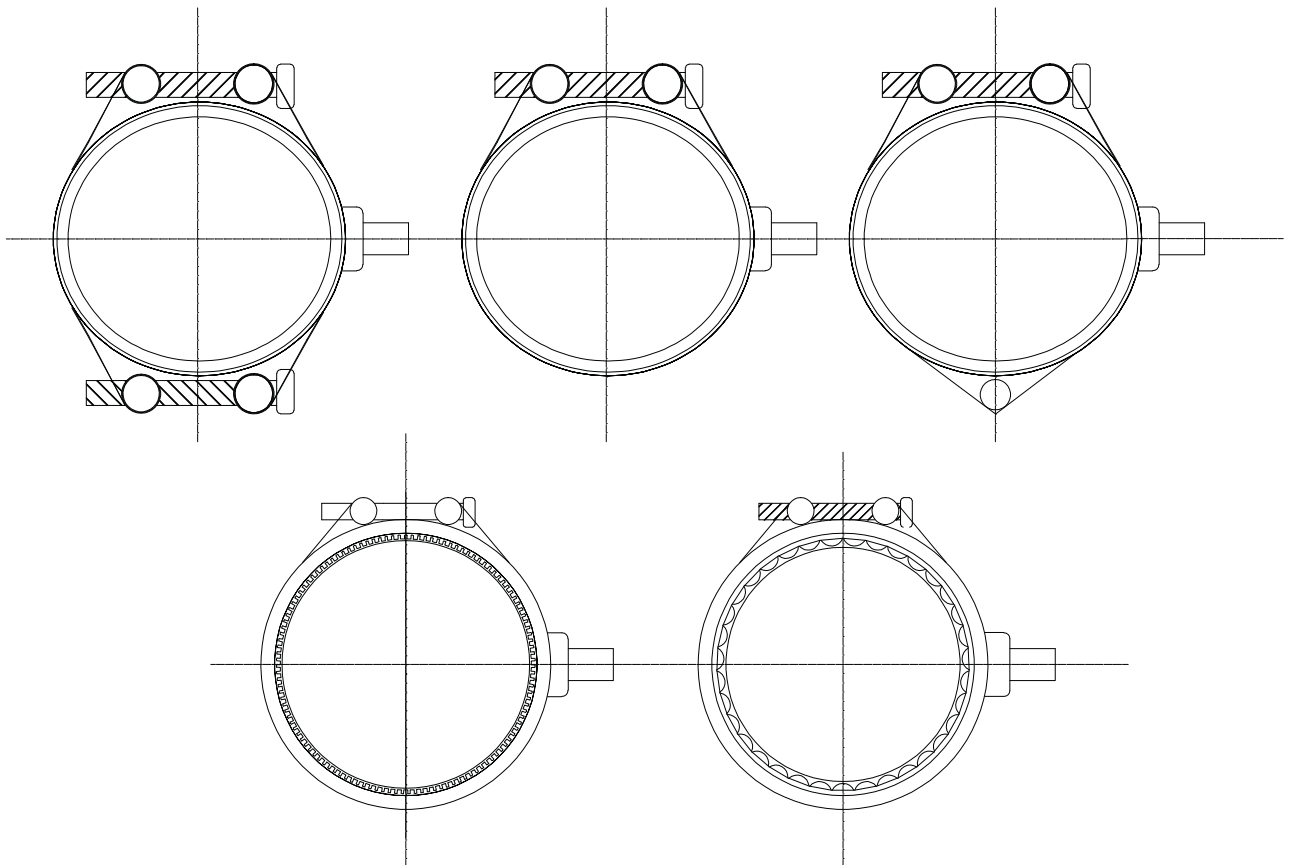
**REPAIR COUPLING / OPEN FLEX with OUTLET
BR-CLAMP OD 76.1 - OD 180.0**

Pipe Outside Diameter	Clamping Range	Nominal Pressure	Dimensions			Distances between pipe ends		Locking Part		
			B	C	R max	Without Insert	With Insert	Thread	Allen Head	Torque Rate
OD	Min.-Max.	PN	Body width	Gap		mm	mm	metric	mm	Nm
mm	mm	bar	mm	mm	inch	mm	mm	metric	mm	Nm
76.1	74.5 - 77.5	20	105	54	1/2" - 1 "	10	28	2 x M8	6	7.5
84.0	82.5 - 85.5	20	105	54	1/2" - 1 "	10	28	2 x M8	6	7.5
88.9	87.5 - 90.5	20	105	54	1/2" - 1 "	10	28	2 x M8	6	7.5
100.6	99.0 - 102.5	20	105	54	1/2" - 1 "	10	28	2 x M8	6	7.5
101.6	100.0 - 103.5	20	105	54	1/2" - 1 "	10	28	2 x M8	6	7.5
104.0	102.5 - 105.5	20	105	54	1/2" - 1 "	10	28	2 x M8	6	7.5
108.0	106.5 - 109.5	20	105	54	1/2" - 1 "	10	28	2 x M8	6	7.5
114.3	112.5 - 116.0	20	105	54	1/2" - 1 "	10	28	2 x M8	6	7.5
127.0	125.0 - 129.0	16	120	67	1/2" - 1 1/2"	10	30	2 x M10	8	10
129.0	127.0 - 131.0	16	120	67	1/2" - 1 1/2"	10	30	2 x M10	8	10
133.0	131.0 - 135.0	16	120	67	1/2" - 1 1/2"	10	30	2 x M10	8	10
139.7	138.0 - 141.5	16	120	67	1/2" - 1 1/2"	10	30	2 x M10	8	10
154.0	152.0 - 156.0	16	120	67	1/2" - 1 1/2"	10	30	2 x M10	8	10
168.3	166.0 - 179.5	16	120	67	1/2" - 1 1/2"	10	30	2 x M10	8	10
180.0	178 - 182	16	120	67	1/2" - 1 1/2"	10	30	2 x M12	10	10

Remarks:

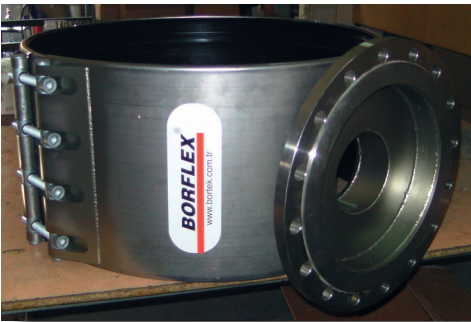
Any other size available

Follow fitting / disassembly instructions





Various connections available



Applications:

For all kind of pipes
Steel, GRP, HDPE, PVC, ductile font, ACP, etc. ..

Technical specification:

Operating pressure up to PN6 / PN10 / PN16 / PN25

Body:

- AISI304
- AISI316
- AISI316Ti
- Carbon steel galvanized

Locking system:

- Steel galvanized - Dacromet 500 (coating with integrated lubricant)
- AISI304
- AISI316

Strip insert (optional) for vacuum support:

- AISI304 or AISI316

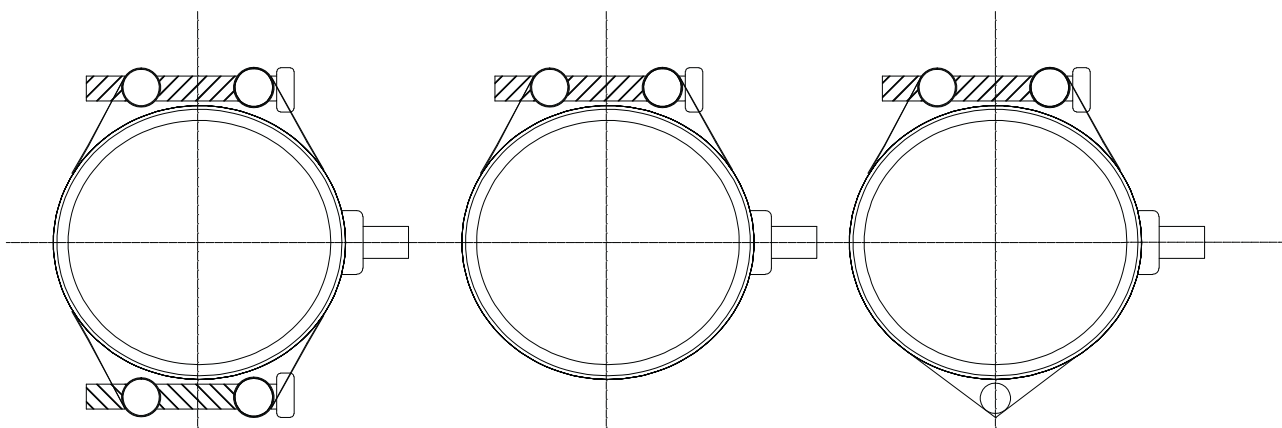
Sealing sleeve:

- EPDM -20°C up to 120°C
Medium: water, waste, air, solids, chemical products
- NBR - 20°C up to 80°C
Medium: water, gas, oil, fuel and other hydrocarbons

- Material available according DIN 86128, W1, W2, W4, W5
- Safety factor and test pressure according your request
- Progressive seal lips with dual-channels for high reliability of tightness
- Axial movements and angular deflections (axial non restraint)
- Radial deformation and vibration absorber
- On axial movement the rubber seal moves with the pipe without any abrasion or any migration
- Most efficient way to connect two pipes

**REPAIR COUPLING / OPEN FLEX with OUTLET
BR-CLAMP OD 200.0 - OD 1000.0**

Pipe Outside Diameter	Clamping Range	Nominal Pressure	Dimensions			Distances between pipe ends		Locking Part		
			B	C	R max	Without Insert	With Insert	Thread	Allen Head	Torque Rate
OD	Min.-Max.	PN	Body width	Gap						
mm	mm	bar	mm	mm	inch	mm	mm	metric	mm	Nm
200.0	198 - 202	16	210	107	1/2" - 2"	15	40	6 x M12	10	15
219.1	217 - 222	16	210	107	1/2" - 2"	15	40	6 x M12	10	15
234.0	231 - 236	16	210	107	1/2" - 2"	15	40	6 x M12	10	15
250.0	248 - 253	16	210	107	1/2" - 2"	15	40	6 x M12	10	15
273.0	270 - 276	16	210	107	1/2" - 2"	15	40	6 x M12	10	20
288.0	285 - 291	16	210	107	1/2" - 2"	15	40	6 x M12	10	20
323.9	321 - 327	16	210	107	1/2" - 2"	15	40	6 x M12	10	20
355.6	353 - 358	16	210	107	1/2" - 2"	15	40	6 x M12	10	20
378.0	375 - 381	16	210	107	1/2" - 2"	15	40	6 x M12	10	20
406.4	404 - 409	16	210	107	1/2" - 2"	15	40	6 x M16	14	20
429.0	426 - 432	16	210	107	1/2" - 2"	15	40	6 x M16	14	40
456.0	454 - 460	16	210	107	1/2" - 2"	15	40	6 x M16	14	40
508.0	505 - 511	16	210	107	1/2" - 2"	15	40	6 x M16	14	40
530.0	527 - 533	16	210	107	1/2" - 2"	15	40	6 x M16	14	40
568.0	565 - 571	16	210	107	1/2" - 2"	15	40	6 x M16	14	50
609.6	606 - 613	16	210	107	1/2" - 2"	20	60	6 x M16	14	60
617.0	614 - 620	16	210	107	1/2" - 2"	20	60	6 x M16	14	60
635.0	632 - 638	16	210	107	1/2" - 2"	20	60	6 x M16	14	60
676.0	673 - 679	16	210	107	1/2" - 2"	20	60	6 x M16	14	60
711.2	708 - 715	16	210	107	1/2" - 2"	20	60	6 x M16	14	60
719.0	716 - 722	16	210	107	1/2" - 2"	20	60	6 x M16	14	60
738.0	735 - 741	16	210	107	1/2" - 2"	20	60	6 x M16	14	60
760.0	758 - 766	16	210	107	1/2" - 2"	20	60	6 x M16	14	60
808.0	805 - 811	16	210	107	1/2" - 2"	20	60	6 x M16	14	60
813.0	809 - 817	16	210	107	1/2" - 2"	20	60	6 x M16	14	60
820.0	817 - 823	16	210	107	1/2" - 2"	20	60	6 x M16	14	70
842.0	839 - 845	16	210	107	1/2" - 2"	20	60	6 x M16	14	70
864.0	861 - 867	16	210	107	1/2" - 2"	20	60	6 x M16	14	80
914.0	910 - 918	16	210	107	1/2" - 2"	20	60	6 x M16	14	80
924.0	919 - 929	16	210	107	1/2" - 2"	20	60	6 x M16	14	80
1000.0	995 - 1005	16	210	107	1/2" - 2"	20	60	6 x M20	18	80



Remarks:

Any other size available

Follow fitting / disassembly instructions

APPLICATIONS





most efficient way to connect two pipes



N° TR30598



BORTEK®.com

Head office:

BORTEK Ltd.

BOSB Mustafa Kutoglu Cad. No.11

TR - 34524 Beylikdüzü / İSTANBUL

Phone: + 90 212 875 99 22 / +90 212 879 03 68

Fax: +90 212 876 55 26

www.bortek.com / bortek@bortek.com.tr

EUROPE office:

TORGEN (Switzerland) GmbH

Kesselstrasse 2

CH - 8957 Spreitenbach

Phone: + 41 56 419 71 00

Fax: +41 56 419 71 09

www.torgen.com / torgen@torgen.ch