

BORTEK[®]
FLEXIBLE COUPLINGS

GRIP / EASY / SADDLE
BORCLAMP / LIGHT / PVC
BORSTEP / ADAPTOR



www.bortek.com

info / order by mail
bortek@bortek.com.tr

info / order by Fax
+90 / 212 876 55 26

info / order by Phone
+90 / 212 875 99 22





GRIP Couplings
page 04 - 09



EASY Couplings
page 10 - 21



SADDLE Couplings
page 22 - 23



BORCLAMP
page 24 - 27



LIGHT Couplings
page 28 - 29



PVC-CLAMP
page 30 - 31



EXPANSIONS Couplings
page 32 - 33



PIPE ADAPTORS
page 34 - 37





Applications:

For all kind of pipes
Carbon steel, stainless steel, CuNiFe, PVC, ductile font.

Technical specification:

Operating pressure up to PN16 / PN25

Body:

- AISI304
- AISI316
- AISI316Ti
- carbon steel galvanized

Locking system:

- steel galvanized - Dacromet 500
(zinc-chromate with integrated lubricant)
- AISI304
- AISI316

Strip insert (optional) for vacuum support:

- AISI304 or AISI316

Sealing sleeve:

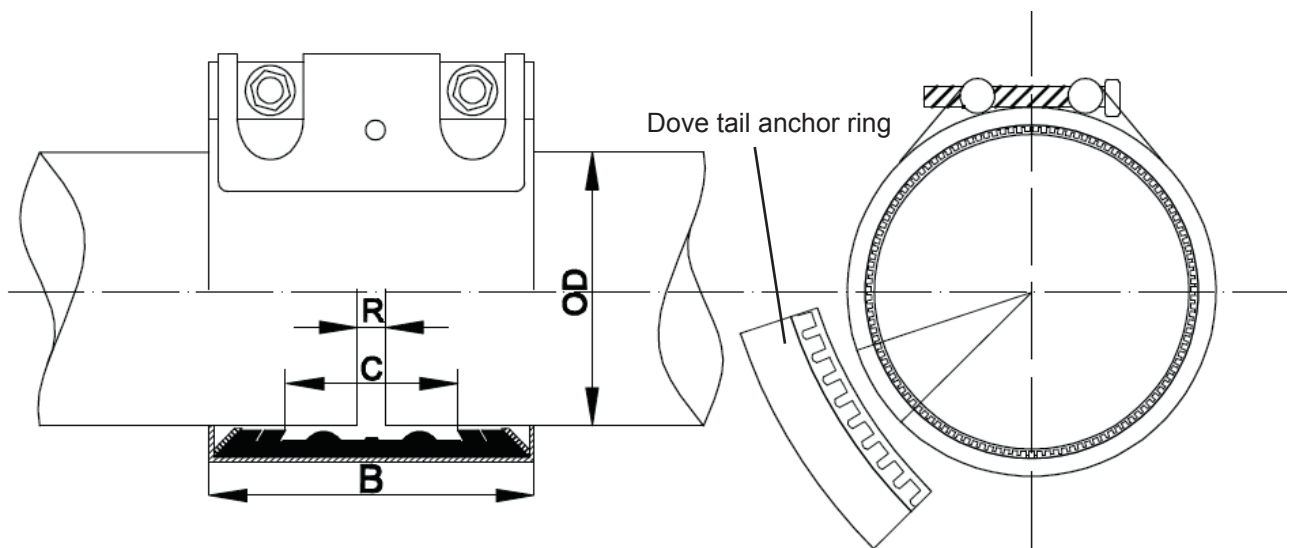
- EPDM -20°C up to 120°C
Medium: water, waste, air, solids
chemical products
- NBR - 20°C up to 80°C
Medium: water, gas, oil, fuel and other
hydrocarbons

- Material available according DIN 86128, W1, W2, W4, W5
- Safety factor and test pressure according your request
- Progressive seal lips with dual-channels for high reliability of tightness
- Axial movements and angular deflections (axial restraint)
- Radial deformation and vibration absorber
- On axial movement the rubber seal moves with the pipe without any abrasion or any migration
- Dove tail anchor ring
- Most efficient way to connect two pipes

AXIAL RESTRAINT COUPLING GRIP OD 26.9 - OD 609.6

Pipe Outside Diameter	Clamping Range	Nominal Pressure	Dimensions	
			B	C
OD	Min.-Max.	PN	Body width	Gap
mm	mm	bar	mm	mm
26.9	26.0 - 28.0	20	56	17
30.0	29.0 - 31.0	20	56	17
33.7	33.0 - 35.0	20	56	17
38.0	38.0 - 39.0	20	76	30
42.4	42.0 - 45.0	20	76	30
44.5	44.0 - 46.0	20	76	30
48.3	47.0 - 49.5	20	76	30
54.0	52.5 - 55.5	20	76	30
57.0	55.5 - 58.5	20	76	30
60.3	59.0 - 61.5	20	76	30
63.0	62.0 - 65.0	20	76	30
76.1	74.5 - 77.5	20	105	47
84.0	82.5 - 85.5	20	105	47
88.9	87.5 - 90.5	20	105	47
108.0	106.5 - 110.0	20	105	47
114.3	112.5 - 116.0	20	105	47
127.0	125.0 - 129.0	16	120	60
133.0	131.0 - 135.0	16	120	60
139.7	138.0 - 141.5	16	120	60
159.0	157.0 - 161.0	16	120	60

Pipe Outside Diameter	Clamping Range	Nominal Pressure	Dimensions	
			B	C
OD	Min.-Max.	PN	Body width	Gap
mm	mm	bar	mm	mm
168.3	166.0 - 179.5	16	120	60
180.0	178 - 182	16	152	81
200.0	198 - 202	16	152	81
219.1	217 - 222	16	152	81
225.0	223 - 227	16	152	81
250.0	248 - 253	16	152	81
273.0	270 - 276	16	152	81
280.0	279 - 282	16	152	81
315.0	314 - 317	16	152	81
323.9	321 - 327	16	152	81
355.6	353 - 358	16	152	81
400.0	398 - 402	16	152	81
406.4	404 - 409	16	152	81
450.0	448 - 452	16	152	81
456.0	454 - 460	16	152	81
500.0	498 - 502	16	152	81
508.0	505 - 511	16	152	81
560.0	565 - 571	16	152	81
609.6	606 - 613	16	152	81



OD : Pipe Outside Diameter
 B : Body Width
 C : Gap between sealing lips
 Rmax. : Distance between two pipe ends

Remarks:
 Any other size available
 Follow fitting / disassembly instructions



Applications:

For all kind of pipes HDPE and other plastic pipes

Technical specification:

Operating pressure up to PN16 / PN25

Body:

- AISI304
- AISI316
- AISI316Ti
- carbon steel galvanized

Locking system:

- steel galvanized - Dacromet 500 (zinc-chromate with integrated lubricant)
- AISI304
- AISI316

Strip insert (optional) for vacuum support:

- AISI304 or AISI316

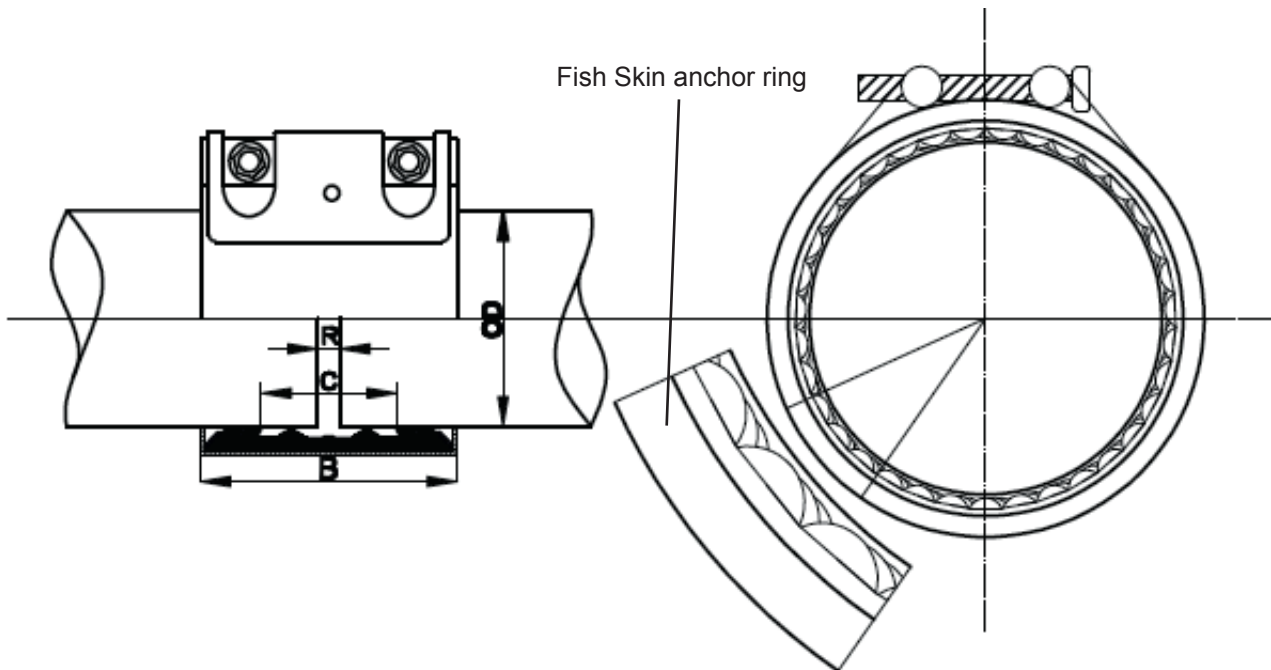
Sealing sleeve:

- EPDM -20°C up to 120°C
Medium: water, waste, air, solids
chemical products
- NBR - 20°C up to 80°C
Medium: water, gas, oil, fuel and
other hydrocarbons

- Material available according DIN 86128, W1, W2, W4, W5
- Safety factor and test pressure according your request
- Progressive seal lips with dual-channels for high reliability of tightness
- Axial movements and angular deflections (axial restraint)
- Radial deformation and vibration absorber
- On axial movement the rubber seal moves with the pipe without any abrasion or any migration
- Fish skin anchor ring
- Most efficient way to connect two pipes

HDPE PIPE COUPLING PLAST GRIP - PG OD 40.0 - OD 250.0

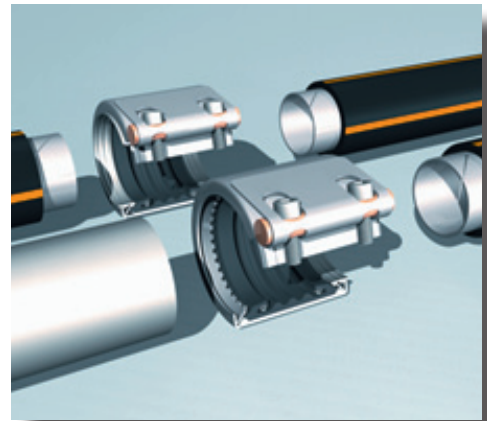
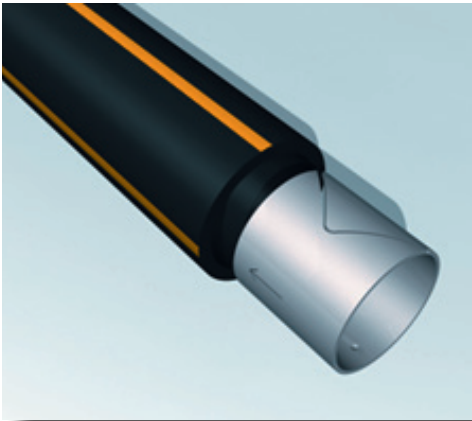
Pipe Outside Diameter	Clamping Range	Nominal Pressure	Dimensions	
			B	C
OD	Min.-Max.	PN	Body width	Gap
mm	mm	bar	mm	mm
40.0	39.0 - 40.5	20	76	30
50.0	49.0 - 50.5	20	76	30
63.0	62.0 - 64.0	20	76	30
75.0	74.0 - 76.0	20	105	47
90.0	89.0 - 91.0	20	105	47
110.0	109.0 - 111.0	20	105	47
127.0	125.0 - 128.0	16	120	60
140.0	139.0 - 141.5	16	120	60
160.0	159.0 - 162.0	16	120	60
180.0	178 - 182	16	152	81
200.0	198 - 202	16	152	81
225.0	223 - 227	16	152	81
250.0	248 - 253	16	152 <td 81	



OD : Pipe Outside Diameter
 B : Body Width
 C : Gap between sealing lips
 Rmax. : Distance between two pipe ends

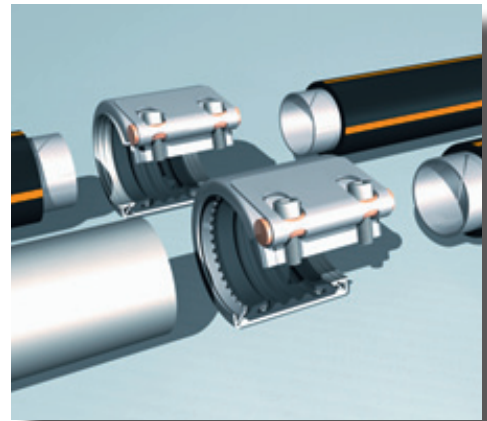
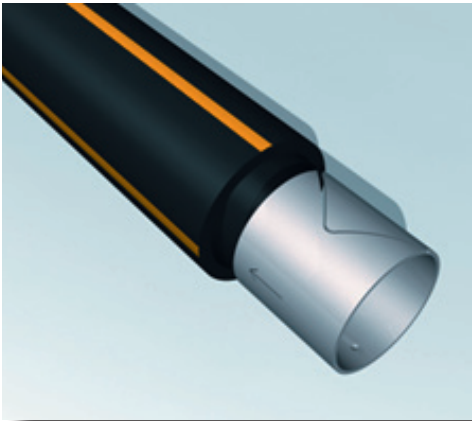
Remarks:
 Any other size available
 Follow fitting / disassembly instructions

HDPE PIPE INSERT STRIP OD 20.0 - OD 630.0



Material AISI304, AISI316, AISI316Ti or others

Pipe Outside Diameter	PIPE INSIDE DIAMETER DIMENSIONS										WIDTH
	ID										
mm	mm										mm
	PN 4	PN 5	PN 6	PN 8	PN 10	PN 12.5	PN 16	PN 20	PN 25	PN 32	
20							16	15.4	14	13.2	100
25						21	20.4	19	18	16.6	100
32					28	27,2	26	24,8	23,2	21,2	100
40				36	35,2	34	32,6	31	29	26,6	100
50			46	45,2	44	42,6	40,8	38,8	36,2	33,4	100
63		59	58	57	55,4	53,6	51,4	48,8	45,8	42	100
75		70,4	69,2	67,8	66	63,8	61,4	58,2	54,4	50	100
90	85,4	84,4	83	81,4	79,2	76,6	73,6	69,8	65,4	60	100
110	104,6	103,2	101,6	99,4	96,8	93,8	90	85,4	79	73,4	100
125	118,8	117,2	115,4	113	110,2	106,6	102,2	97	90,8	83,4	100
140	133	131,4	129,2	126,6	123,4	119,4	114,6	108,6	101,6	93,4	100
160	152	150,2	147,6	144,6	141	136,4	130,8	124,2	116,2	106,8	100
180	171,2	169	166,2	162,8	158,6	153,4	147,2	139,8	130,8	120,2	100



Material AISI304, AISI316, AISI316Ti or others

Pipe Outside Diameter	PIPE INSIDE DIAMETER DIMENSIONS										WIDTH
	ID										
mm	mm										mm
	PN 4	PN 5	PN 6	PN 8	PN 10	PN 12.5	PN 16	PN 20	PN 25	PN 32	
200	190,2	187,6	184,6	180,8	176,2	170,6	163,6	155,2	145,2	133,6	200
225	214	211,2	207,8	203,4	198,2	191,8	184	174,6	163,4	150,2	200
250	237,6	234,6	230,8	226,2	220,4	213,2	204,6	194,2	181,6	167	200
280	266,2	262,8	258,6	253,2	246,8	238,8	229,2	217,4	203,4	187	200
315	299,6	295,6	290,8	285	277,6	268,6	257,8	244,6	228,8	210,4	200
355	337,6	333,2	327,8	321,2	312,8	302,8	290,6	275,6	258	237	200
400	380,4	375,4	369,4	361,8	352,6	341,2	327,4	310,6	290,6		200
450	428	422,4	415,6	407	396,6	383,8	368,2	349,4	327		200
500	475,4	469,4	461,8	452,2	440,6	426,4	409,2	388,4			200
560	532,6	525,6	517,2	506,6	493,6	477,6	458,4				200
630	599,2	591,4	581,8	570	555,2	537,4	515,6				200
160	152	150,2	147,6	144,6	141	136,4	130,8	124,2	116,2	106,8	100
180	171,2	169	166,2	162,8	158,6	153,4	147,2	139,8	130,8	120,2	100

Remarks:

Any other size available

Follow fitting / disassembly instructions

SINGLE BODY WAFFLE REPAIR COUPLING EASY 10 OD 20.0 - OD 276.0



Applications:

For all kind of pipes

Technical specification:

Operating pressure up to PN10 / PN16

Body:

- AISI304
- AISI316
- carbon steel galvanized

Locking system:

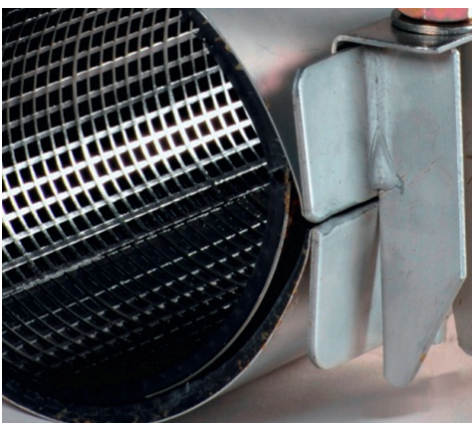
- steel galvanized - Dacromet 500 (zinc-chromate with integrated lubricant)
- AISI304
- AISI316

Sealing sleeve:

- EPDM -20°C up to 120°C
Medium: water, waste, air, solids
chemical products
- NBR - 20°C up to 80°C
Medium: water, gas, oil, fuel and
other hydrocarbons



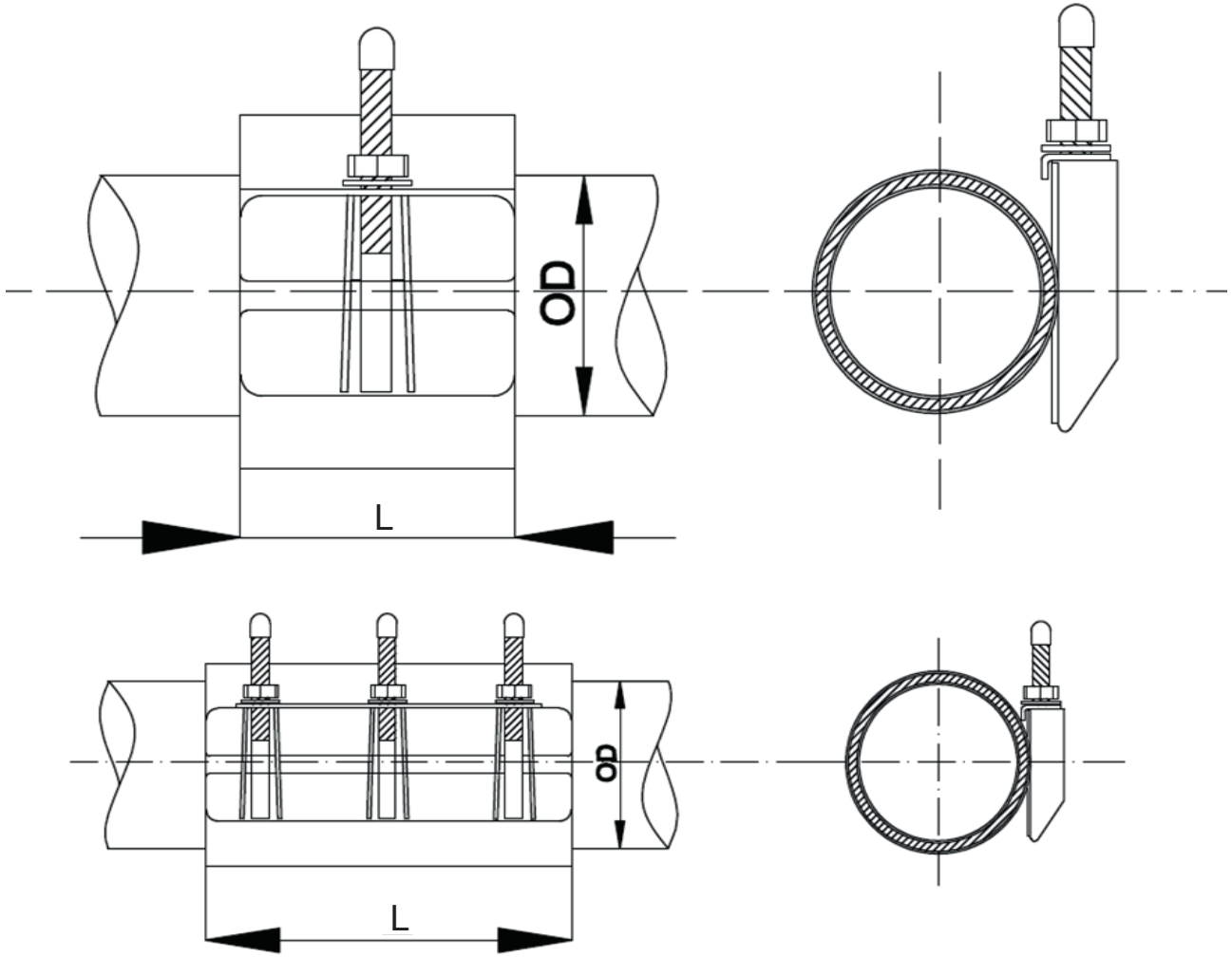
- Safety factor and test pressure according your request
- Radial deformation and vibration absorber
- On axial movement the rubber seal moves with the pipe without any abrasion or any migration
- Most efficient way to repair low pressure pipes



SINGLE BODY WAFFLE REPAIR COUPLING EASY 10 OD 20.0 - OD 276.0

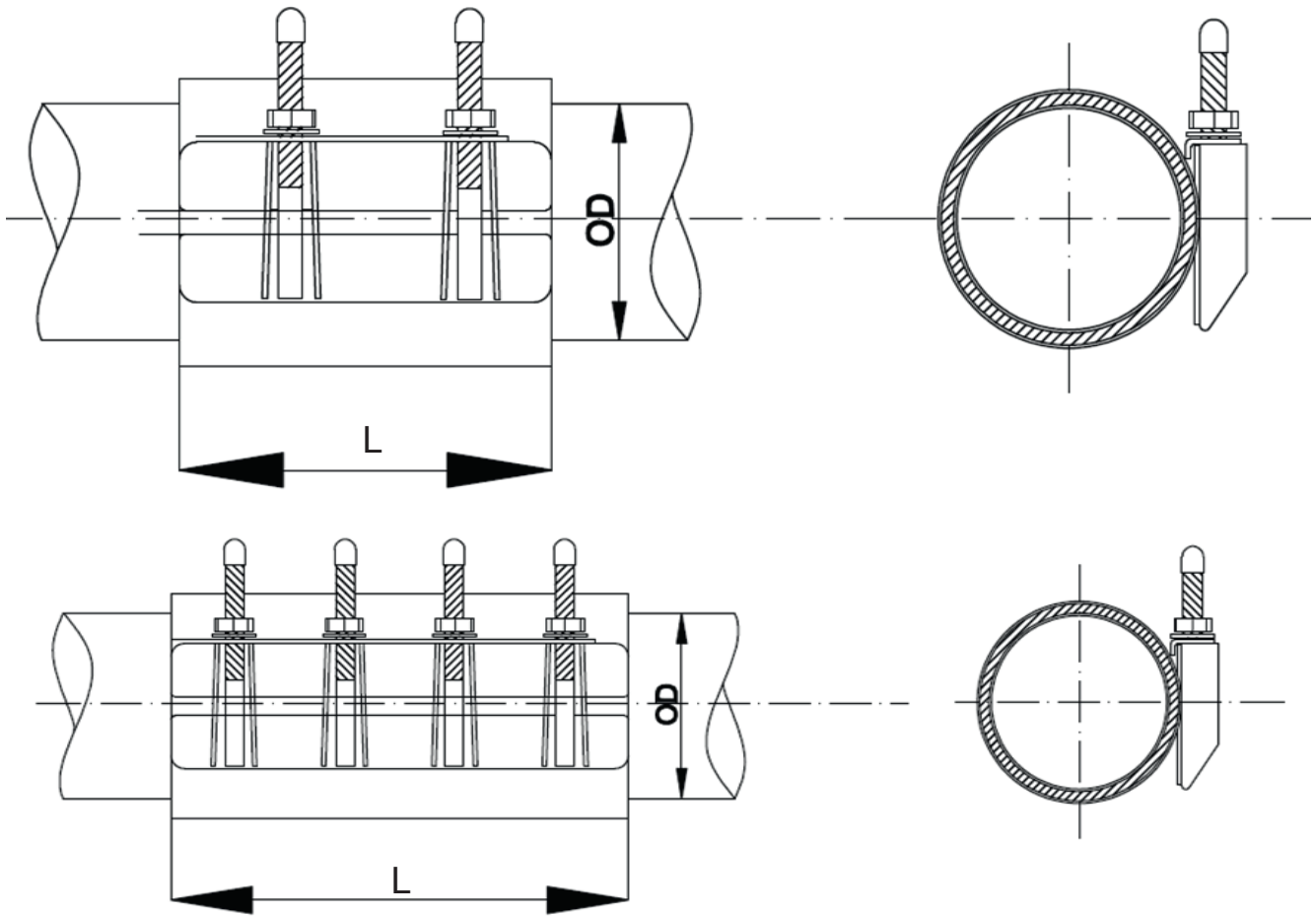
Pipe Outside Diameter	L		L		L		L		L		L	
mm	mm		mm		mm		mm		mm		mm	
OD	100	Thread	150	Thread	200	Thread	250	Thread	300	Thread	400	Thread
20 – 23	X	2 x M14	X	2 x M14	X	2 x M14	X	2 x M14				
25 – 28	X	2 x M14	X	2 x M14	X	2 x M14	X	2 x M14				
32 – 36	X	2 x M14	X	2 x M14	X	2 x M14	X	2 x M14				
40 – 44	X	2 x M14	X	2 x M14	X	2 x M14	X	2 x M14				
48 – 52	X	2 x M14	X	2 x M14	X	2 x M14	X	2 x M14				
54 – 58	X	2 x M14	X	2 x M14	X	2 x M14	X	2 x M14	X	3 x M14		
60 - 67	X	2 x M14	X	2 x M14	X	2 x M14	X	2 x M14	X	3 x M14		
67 – 74	X	2 x M14	X	2 x M14	X	2 x M14	X	2 x M14	X	3 x M14	X	4 x M14
73 – 77	X	2 x M14	X	2 x M14	X	2 x M14	X	2 x M14	X	3 x M14	X	4 x M14
76 – 83	X	2 x M14	X	2 x M14	X	2 x M14	X	2 x M14	X	3 x M14	X	4 x M14
82 – 89	X	2 x M14	X	2 x M14	X	2 x M14	X	2 x M14	X	3 x M14	X	4 x M14
87 – 94	X	2 x M14	X	2 x M14	X	2 x M14	X	2 x M14	X	3 x M14	X	4 x M14
91 – 98	X	2 x M14	X	2 x M14	X	2 x M14	X	2 x M14	X	3 x M14	X	4 x M14
95 – 102	X	2 x M14	X	2 x M14	X	2 x M14	X	2 x M14	X	3 x M14	X	4 x M14
102 – 112	X	2 x M14	X	2 x M14	X	2 x M14	X	2 x M14	X	3 x M14	X	4 x M14
106 – 116	X	2 x M14	X	2 x M14	X	2 x M14	X	2 x M14	X	3 x M14	X	4 x M14
108 – 118	X	2 x M14	X	2 x M14	X	2 x M14	X	2 x M14	X	3 x M14	X	4 x M14
113 – 123	X	2 x M14	X	2 x M14	X	2 x M14	X	2 x M14	X	3 x M14	X	4 x M14
118 – 128	X	2 x M14	X	2 x M14	X	2 x M14	X	2 x M14	X	3 x M14	X	4 x M14
120 – 131	X	2 x M14	X	2 x M14	X	2 x M14	X	2 x M14	X	3 x M14	X	4 x M14
125 – 135	X	2 x M14	X	2 x M14	X	2 x M14	X	2 x M14	X	3 x M14	X	4 x M14
132 – 142	X	2 x M14	X	2 x M14	X	2 x M14	X	2 x M14	X	3 x M14	X	4 x M14
135 – 145	X	2 x M14	X	2 x M14	X	2 x M14	X	3 x M14	X	4 x M14		
145 – 155	X	2 x M14	X	2 x M14	X	2 x M14	X	3 x M14	X	4 x M14		
151 – 161			X	2 x M14	X	2 x M14	X	3 x M14	X	4 x M14		
165 – 175			X	2 x M14	X	2 x M14	X	3 x M14	X	4 x M14		
170 – 180			X	2 x M14	X	2 x M14	X	3 x M14	X	4 x M14		
176 – 186			X	2 x M14	X	2 x M14	X	3 x M14	X	4 x M14		
180 – 190			X	2 x M14	X	2 x M14	X	3 x M14	X	4 x M14		
186 – 196			X	2 x M14	X	2 x M14	X	3 x M14	X	4 x M14		
193 – 203			X	2 x M14	X	2 x M14	X	3 x M14	X	4 x M14		
200 – 210			X	2 x M14	X	2 x M14	X	3 x M14	X	4 x M14		
209 – 219			X	2 x M14	X	2 x M14	X	3 x M14	X	4 x M14		
215 – 225			X	2 x M14	X	2 x M14	X	3 x M14	X	4 x M14		
219 – 229					X	2 x M14	X	3 x M14	X	4 x M14		
222 – 232					X	2 x M14	X	3 x M14	X	4 x M14		
230 – 240					X	2 x M14	X	3 x M14	X	4 x M14		
237 – 247					X	2 x M14	X	3 x M14	X	4 x M14		
239 – 249					X	2 x M14	X	3 x M14	X	4 x M14		
243 – 253					X	2 x M14	X	3 x M14	X	4 x M14		
250 – 260					X	2 x M14	X	3 x M14	X	4 x M14		
252 – 262							X	3 x M14	X	4 x M14		
261 – 271							X	3 x M14	X	4 x M14		
266 – 276							X	3 x M14	X	4 x M14		

SINGLE BODY WAFFLE REPAIR COUPLING
EASY 10 OD 20.0 - OD 276.0



Pressure		
Pipe Outside Diameter (mm)	Working Pressure (bar)	
	Water	Gas
20 - 95	16	5
106 - 219	16	4
237 - 276	10	3

SINGLE BODY WAFFLE REPAIR COUPLING EASY 10 OD 20.0 - OD 276.0



Materials / Components			
Clamping Range	Body	Threads	Sealing Sleeve
10 mm	AISI 304 AISI 316	AISI 304 AISI 316 teflon coated	EPDM (Waffle Type)
			NBR (Waffle Type) optional

Remarks:

Any other size available
Follow fitting / disassembly instructions

TWO PIECE BODY WAFFLE GASKET EASY 20 OD 88.0 - OD 530.0



Applications:

For all kind of pipes

Technical specification:

Operating pressure up to PN10 / PN16

Body:

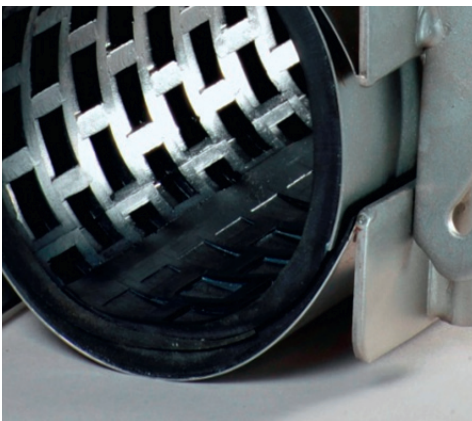
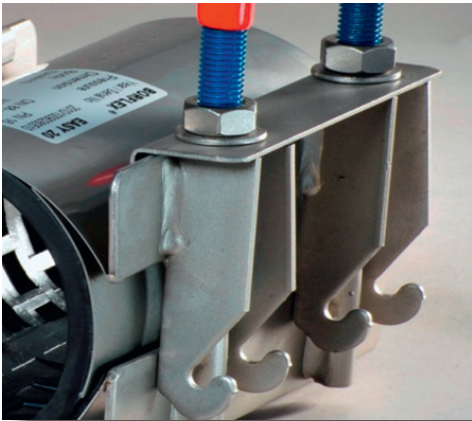
- AISI304
- AISI316
- carbon steel galvanized

Locking system:

- steel galvanized - Dacromet 500 (zinc-chromate with integrated lubricant)
- AISI304
- AISI316

Sealing sleeve:

- EPDM -20°C up to 120°C
Medium: water, waste, air, solids
chemical products
- NBR - 20°C up to 80°C
Medium: water, gas, oil, fuel and
other hydrocarbons



- Safety factor and test pressure according your request
- Radial deformation and vibration absorber
- On axial movement the rubber seal moves with the pipe without any abrasion or any migration
- Most efficient way to repair low pressure pipes

**TWO PIECE BODY WAFFLE GASKET
EASY 20 OD 88.0 - OD 530.0**

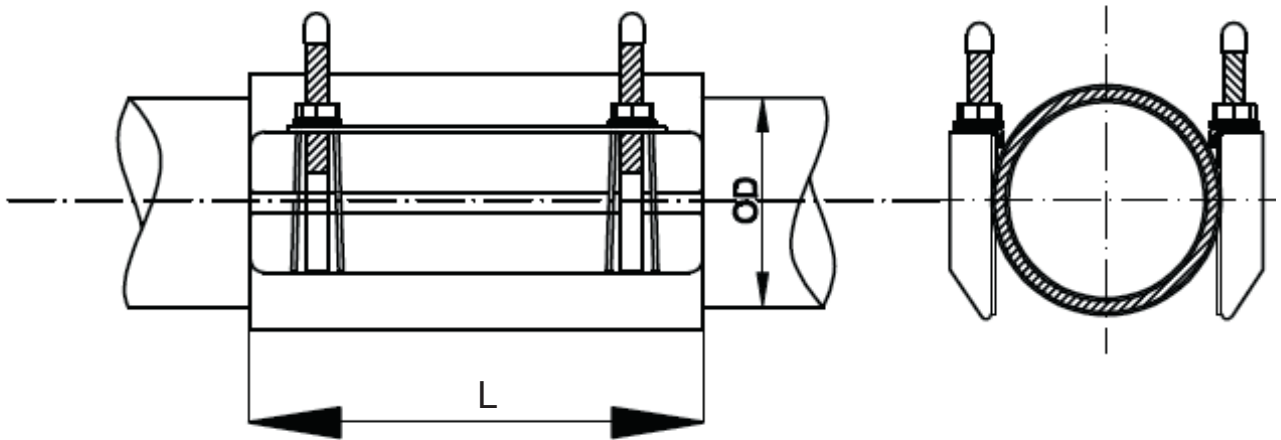
Pipe Outside Diameter	L		L		L		L		L	
mm	mm		mm		mm		mm		mm	
OD	200	Thread	250	Thread	300	Thread	400	Thread	500	Thread
88 - 110	X	2 x M14	X	2 x M14	X	3 x M14				
100 - 200	X	2 x M14	X	2 x M14	X	3 x M14				
108 - 128	X	2 x M14	X	2 x M14	X	3 x M14				
114 - 134	X	2 x M14	X	2 x M14	X	3 x M14				
120 - 140	X	2 x M14	X	2 x M14	X	3 x M14				
130 - 150	X	2 x M14	X	2 x M14	X	3 x M14	X	4 x M14		
135 - 155	X	2 x M14	X	2 x M14	X	3 x M14	X	4 x M14		
140 - 160	X	2 x M14	X	2 x M14	X	3 x M14	X	4 x M14	X	4 x M14
159 - 180	X	2 x M14	X	2 x M14	X	3 x M14	X	4 x M14	X	4 x M14
165 - 185	X	2 x M14	X	2 x M14	X	3 x M14	X	4 x M14	X	4 x M14
168 - 189	X	2 x M14	X	2 x M14	X	3 x M14	X	4 x M14	X	4 x M14
170 - 190	X	2 x M14	X	2 x M14	X	3 x M14	X	4 x M14	X	4 x M14
176 - 196	X	2 x M14	X	2 x M14	X	3 x M14	X	4 x M14	X	4 x M14
190 - 210	X	2 x M14	X	2 x M14	X	3 x M14	X	4 x M14	X	4 x M14
195 - 217	X	2 x M14	X	2 x M14	X	3 x M14	X	4 x M14	X	4 x M14
210 - 230	X	2 x M14	X	2 x M14	X	3 x M14	X	4 x M14	X	4 x M14
218 - 238	X	2 x M14	X	2 x M14	X	3 x M14	X	4 x M14	X	4 x M14
225 - 246	X	2 x M14	X	2 x M14	X	3 x M14	X	4 x M14	X	4 x M14
240 - 260	X	2 x M14	X	2 x M14	X	3 x M14	X	4 x M14	X	4 x M14
250 - 270	X	2 x M14	X	3 x M14	X	4 x M14	X	4 x M14		
269 - 289	X	2 x M14	X	3 x M14	X	4 x M14	X	4 x M14		
273 - 293			X	3 x M14	X	4 x M14	X	4 x M14		
282 - 302			X	3 x M14	X	4 x M14	X	4 x M14		
295 - 315			X	3 x M14	X	4 x M14	X	4 x M14		
315 - 335			X	3 x M14	X	4 x M14	X	4 x M14		
322 - 344			X	3 x M14	X	4 x M14	X	4 x M14		
337 - 358					X	4 x M14	X	4 x M14		
347 - 367					X	4 x M14	X	4 x M14		
365 - 386					X	4 x M14	X	4 x M14		
382 - 402					X	4 x M14	X	4 x M14		
395 - 415					X	4 x M14	X	4 x M14		
400 - 420					X	4 x M14	X	4 x M14		
410 - 430					X	4 x M14	X	4 x M14		
420 - 440					X	4 x M14	X	4 x M14		
435 - 455							X	4 x M14		
450 - 470							X	4 x M14		
468 - 488							X	4 x M14		
510 - 530							X	4 x M14		

Remarks:

Any other size available

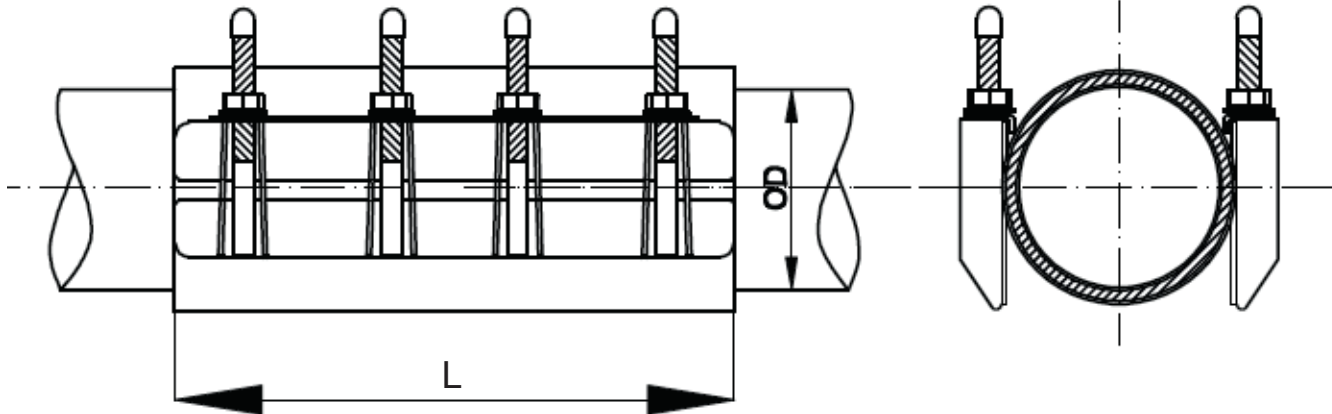
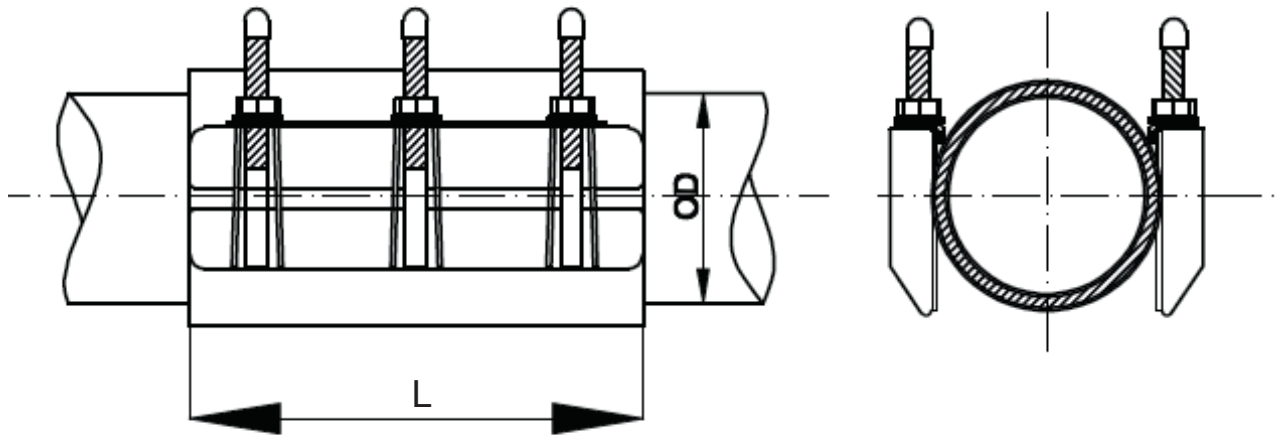
Follow fitting / disassembly instructions

TWO PIECE BODE WAFFLE GASKET
EASY 20 OD 88.0 - OD 530.0



Pressure		
Pipe Outside Diameter (mm)	Working Pressure (bar)	
	Water	Gas
88 - 282	16	4
295 - 530	10	3

**TWO PIECE BODY WAFFLE GASKET
EASY 20 OD 88.0 - OD 530.0**



Materials / Components			
Clamping Range	Body	Threads	Sealing Sleeve
20 mm	AISI 304 AISI 316	AISI 304 AISI 316 teflon coated	EPDM (Waffle Type)
			NBR (Waffle Type) optional

Remarks:
Any other size available
Follow fitting / disassembly instructions

TWO PIECE BODY WAFFLE GASKET with **OUTLET** EASY BR OD 88.0 - OD 530.0



Applications:

For all kind of pipes

Technical specification:

Operating pressure up to PN10 / PN16

Body:

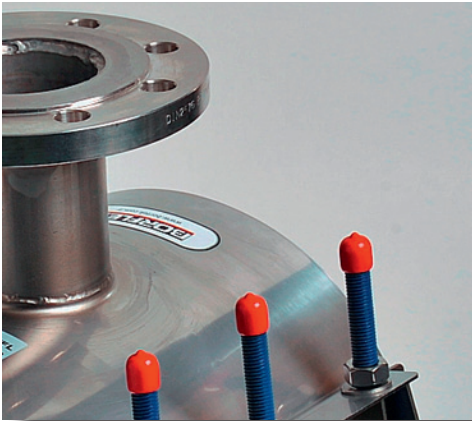
- AISI304
- AISI316
- carbon steel galvanized

Locking system:

- steel galvanized - Dacromet 500 (zinc-chromate with integrated lubricant)
- AISI304
- AISI316

Sealing sleeve:

- EPDM -20°C up to 120°C
Medium: water, waste, air, solids
chemical products
- NBR - 20°C up to 80°C
Medium: water, gas, oil, fuel and
other hydrocarbons



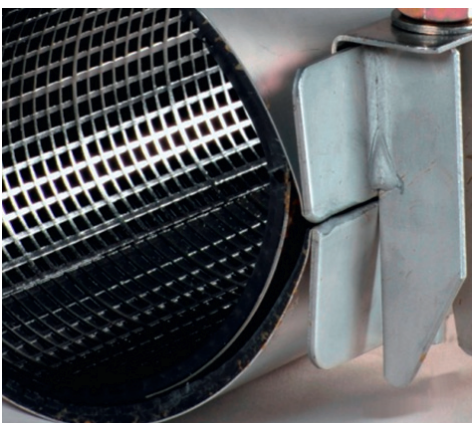
- Easy to connect a valve or another pipe

- Safety factor and test pressure according your request

- Radial deformation and vibration absorber

- On axial movement the rubber seal moves with the pipe without any abrasion or any migration

- Most efficient way to connect another pipe



**TWO PIECE BODY WAFFLE GASKET with OUTLET
EASY BR OD 88.0 - OD 530.0**

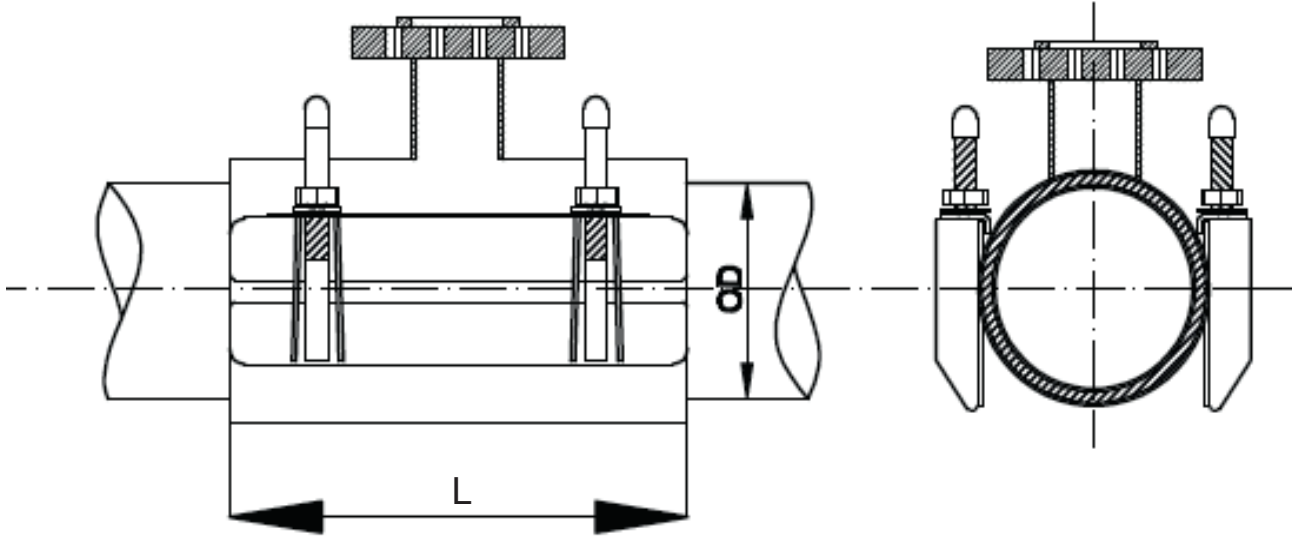
Pipe Outside Diameter	L		L		L		L		L		Outlet
mm	mm		mm		mm		mm		mm		inch
OD	200	Thread	250	Thread	300	Thread	400	Thread	500	Thread	
88 - 110	X	2 x M14	X	2 x M14	X	3 x M14					1/2" - 2"
100 - 200	X	2 x M14	X	2 x M14	X	3 x M14					1/2" - 2"
108 - 128	X	2 x M14	X	2 x M14	X	3 x M14					1/2" - 2 1/2"
114 - 134	X	2 x M14	X	2 x M14	X	3 x M14					1/2" - 2 1/2"
120 - 140	X	2 x M14	X	2 x M14	X	3 x M14					1/2" - 2 1/2"
130 - 150	X	2 x M14	X	2 x M14	X	3 x M14	X	4 x M14			1/2" - 3"
135 - 155	X	2 x M14	X	2 x M14	X	3 x M14	X	4 x M14			1/2" - 3"
140 - 160	X	2 x M14	X	2 x M14	X	3 x M14	X	4 x M14	X	4 x M14	1/2" - 3"
159 - 180	X	2 x M14	X	2 x M14	X	3 x M14	X	4 x M14	X	4 x M14	1/2" - 4"
165 - 185	X	2 x M14	X	2 x M14	X	3 x M14	X	4 x M14	X	4 x M14	1/2" - 4"
168 - 189	X	2 x M14	X	2 x M14	X	3 x M14	X	4 x M14	X	4 x M14	1/2" - 4"
170 - 190	X	2 x M14	X	2 x M14	X	3 x M14	X	4 x M14	X	4 x M14	1/2" - 4"
176 - 196	X	2 x M14	X	2 x M14	X	3 x M14	X	4 x M14	X	4 x M14	1/2" - 4"
190 - 210	X	2 x M14	X	2 x M14	X	3 x M14	X	4 x M14	X	4 x M14	1/2" - 4"
195 - 217	X	2 x M14	X	2 x M14	X	3 x M14	X	4 x M14	X	4 x M14	1/2" - 4"
210 - 230	X	2 x M14	X	2 x M14	X	3 x M14	X	4 x M14	X	4 x M14	1/2" - 4"
218 - 238	X	2 x M14	X	2 x M14	X	3 x M14	X	4 x M14	X	4 x M14	1/2" - 4"
225 - 246	X	2 x M14	X	2 x M14	X	3 x M14	X	4 x M14	X	4 x M14	1/2" - 4"
240 - 260	X	2 x M14	X	2 x M14	X	3 x M14	X	4 x M14	X	4 x M14	1/2" - 4"
250 - 270			X	2 x M14	X	3 x M14	X	4 x M14	X	4 x M14	1/2" - 4"
269 - 289			X	2 x M14	X	3 x M14	X	4 x M14	X	4 x M14	1/2" - 4"
273 - 293					X	3 x M14	X	4 x M14	X	4 x M14	1/2" - 4"
282 - 302					X	3 x M14	X	4 x M14	X	4 x M14	1/2" - 4"
295 - 315					X	3 x M14	X	4 x M14	X	4 x M14	1/2" - 4"
315 - 335					X	3 x M14	X	4 x M14	X	4 x M14	1/2" - 4"
322 - 344					X	3 x M14	X	4 x M14	X	4 x M14	1/2" - 4"
337 - 358							X	4 x M14	X	4 x M14	1/2" - 4"
347 - 367							X	4 x M14	X	4 x M14	1/2" - 4"
365 - 386							X	4 x M14	X	4 x M14	1/2" - 4"
382 - 402							X	4 x M14	X	4 x M14	1/2" - 4"
395 - 415							X	4 x M14	X	4 x M14	1/2" - 4"
400 - 420							X	4 x M14	X	4 x M14	1/2" - 4"
410 - 430							X	4 x M14	X	4 x M14	1/2" - 4"
420 - 440							X	4 x M14	X	4 x M14	1/2" - 4"
435 - 455									X	4 x M14	1/2" - 4"
450 - 470									X	4 x M14	1/2" - 4"
468 - 488									X	4 x M14	1/2" - 4"
510 - 530									X	4 x M14	1/2" - 4"

Remarks:

Any other size available

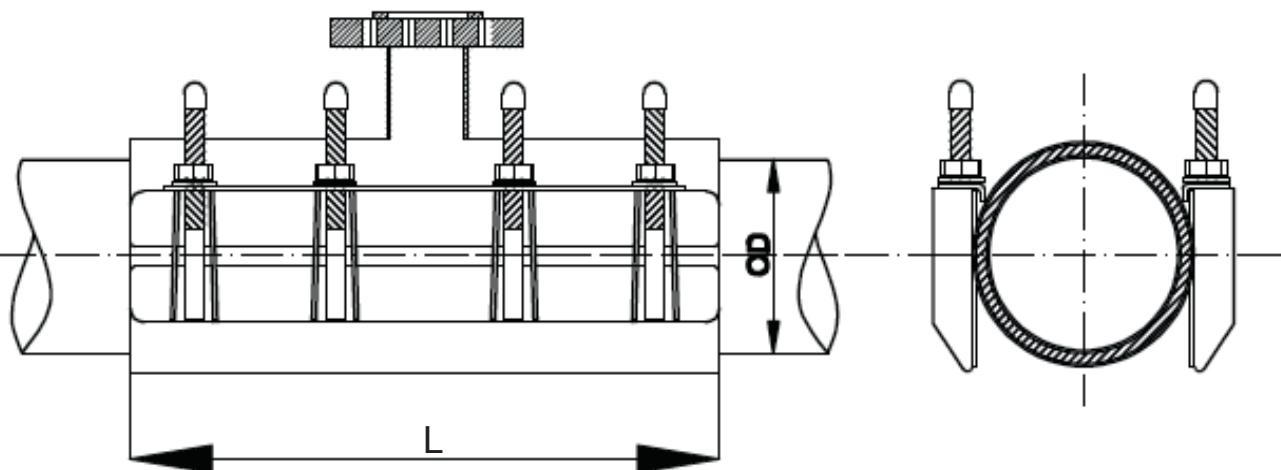
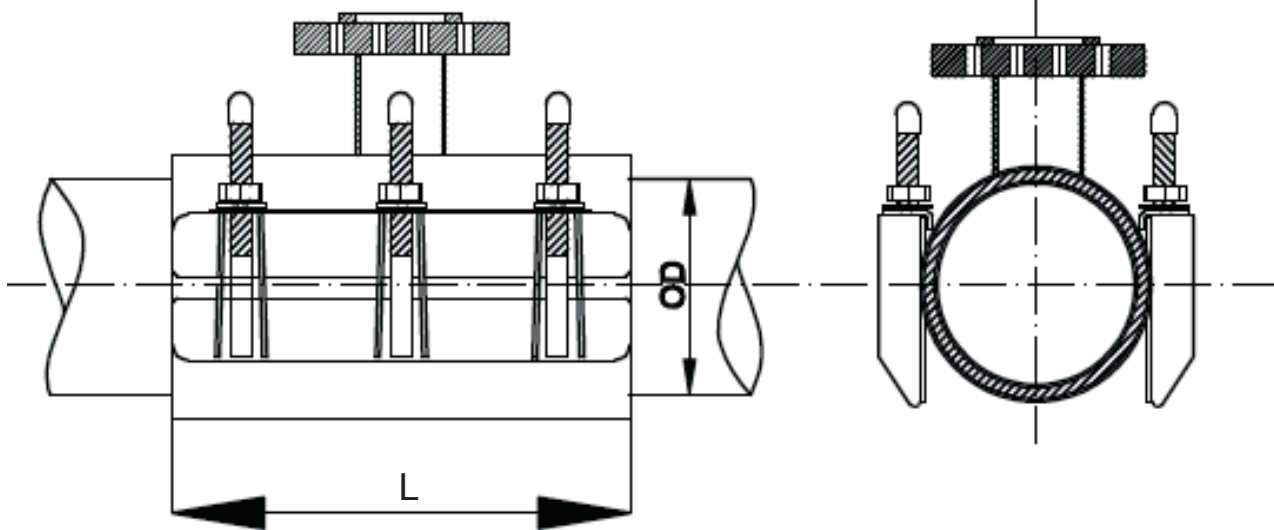
Follow fitting / disassembly instructions

TWO PIECE BODY WAFFLE GASKET with OUTLET
EASY BR OD 88.0 - OD 530.0



Pressure		
Pipe Outside Diameter (mm)	Working Pressure (bar)	
	Water	Gas
88 - 282	16	4
295 - 530	10	3

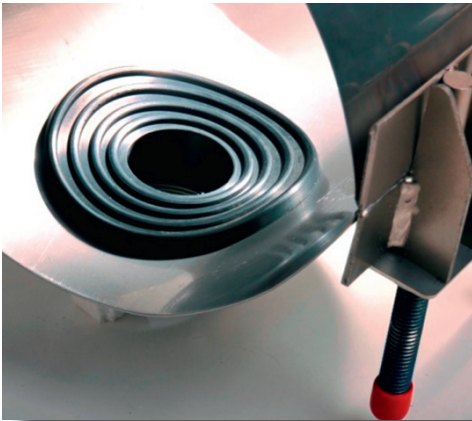
TWO PIECE BODY WAFFLE GASKET with OUTLET
EASY BR OD 88.0 - OD 530.0



Materials / Components			
Clamping Range	Body	Threads	Sealing Sleeve
20 mm	AISI 304 AISI 316 Carbon Steel	AISI 304 AISI 316 Steel Galvanized	EPDM (Waffle Type)
			NBR (Waffle Type) optional

Remarks:
 Any other size available
 Follow fitting / disassembly instructions

SADDLE CLAMPS OD 88.0 - OD 530.0



Applications:

For all kind of pipes

Technical specification:

Operating pressure up to PN10 / PN16

Body:

- AISI304
- AISI316
- carbon steel galvanized

Locking system:

- steel galvanized - Dacromet 500 (zinc-chromate with integrated lubricant)
- AISI304
- AISI316

Sealing sleeve:

- EPDM -20°C up to 120°C
Medium: water, waste, air, solids
chemical products
- NBR - 20°C up to 80°C
Medium: water, gas, oil, fuel and
other hydrocarbons

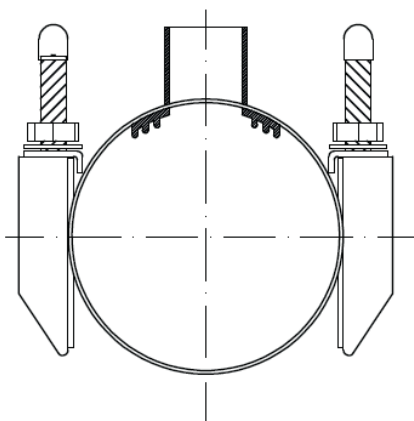
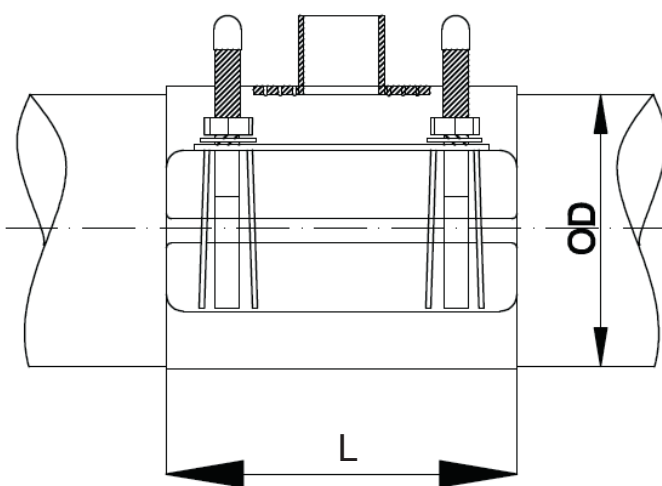
- Easy to connect a valve or another pipe
- Safety factor and test pressure according your request
- Radial deformation and vibration absorber
- On axial movement the rubber seal moves with the pipe without any abrasion or any migration
- Most efficient way to connect another pipe

Pressure		
Pipe Outside Diameter (mm)	Working Pressure (bar)	
	Water	Gas
88 - 282	16	4
295 - 530	10	3

Materials / Components			
Clamping Range	Body	Threads	Sealing Sleeve
20 mm	AISI 304 AISI 316	AISI 304 AISI 316 Steel Galvanized	EPDM (Waffle Type)
			NBR (Waffle Type) optional

Pipe Outside Diameter	Length	Threads	Outlet
mm	mm		inch
88 - 110	200	2 x M14	1/2" - 2"
100 - 200	200	2 x M14	1/2" - 2"
108 - 128	200	2 x M14	1/2" - 2 1/2"
114 - 134	200	2 x M14	1/2" - 2 1/2"
120 - 140	200	2 x M14	1/2" - 2 1/2"
130 - 150	200	2 x M14	1/2" - 3"
135 - 155	200	2 x M14	1/2" - 3"
140 - 160	200	2 x M14	1/2" - 3"
159 - 180	200	2 x M14	1/2" - 4"
165 - 185	200	2 x M14	1/2" - 4"
168 - 189	200	2 x M14	1/2" - 4"
170 - 190	200	2 x M14	1/2" - 4"
176 - 196	200	2 x M14	1/2" - 4"
190 - 210	200	2 x M14	1/2" - 4"
195 - 217	200	2 x M14	1/2" - 4"
210 - 230	200	2 x M14	1/2" - 4"
218 - 238	200	2 x M14	1/2" - 4"
225 - 246	200	2 x M14	1/2" - 4"
240 - 260	200	2 x M14	1/2" - 4"

Pipe Outside Diameter	Length	Threads	Dimensions
mm	mm		inch
250 - 270	200	2 x M14	1/2" - 4"
269 - 289	200	2 x M14	1/2" - 4"
273 - 293	200	2 x M14	1/2" - 4"
282 - 302	200	2 x M14	1/2" - 4"
295 - 315	200	2 x M14	1/2" - 4"
315 - 335	200	2 x M14	1/2" - 4"
322 - 344	200	2 x M14	1/2" - 4"
337 - 358	200	2 x M14	1/2" - 4"
347 - 367	200	2 x M14	1/2" - 4"
365 - 386	200	2 x M14	1/2" - 4"
382 - 402	200	2 x M14	1/2" - 4"
395 - 415	200	2 x M14	1/2" - 4"
400 - 420	200	2 x M14	1/2" - 4"
410 - 430	200	2 x M14	1/2" - 4"
420 - 440	200	2 x M14	1/2" - 4"
435 - 455	200	2 x M14	1/2" - 4"
450 - 470	200	2 x M14	1/2" - 4"
468 - 488	200	2 x M14	1/2" - 4"
510 - 530	200	2 x M14	1/2" - 4"



Remarks:

Any other size available

Follow fitting / disassembly instructions

SINGLE BODY WAFFLE GASKET BORCLAMP / BAG TYPE OD 40.0 - OD 276.0



Applications:

For all kind of pipes

Technical specification:

Operating pressure up to PN6 / PN10 / PN16

Body:

- AISI304
- AISI316

Locking system:

- steel galvanized - Dacromet 500 (zinc-chromate with integrated lubricant)
- AISI304
- AISI316

Sealing sleeve:

- EPDM -20°C up to 120°C
Medium: water, waste, air, solids
chemical products
- NBR - 20°C up to 80°C
Medium: water, gas, oil, fuel and
other hydrocarbons

- Easy to connect a valve or another pipe
- Safety factor and test pressure according your request
- Radial deformation and vibration absorber
- On axial movement the rubber seal moves with the pipe without any abrasion or any migration

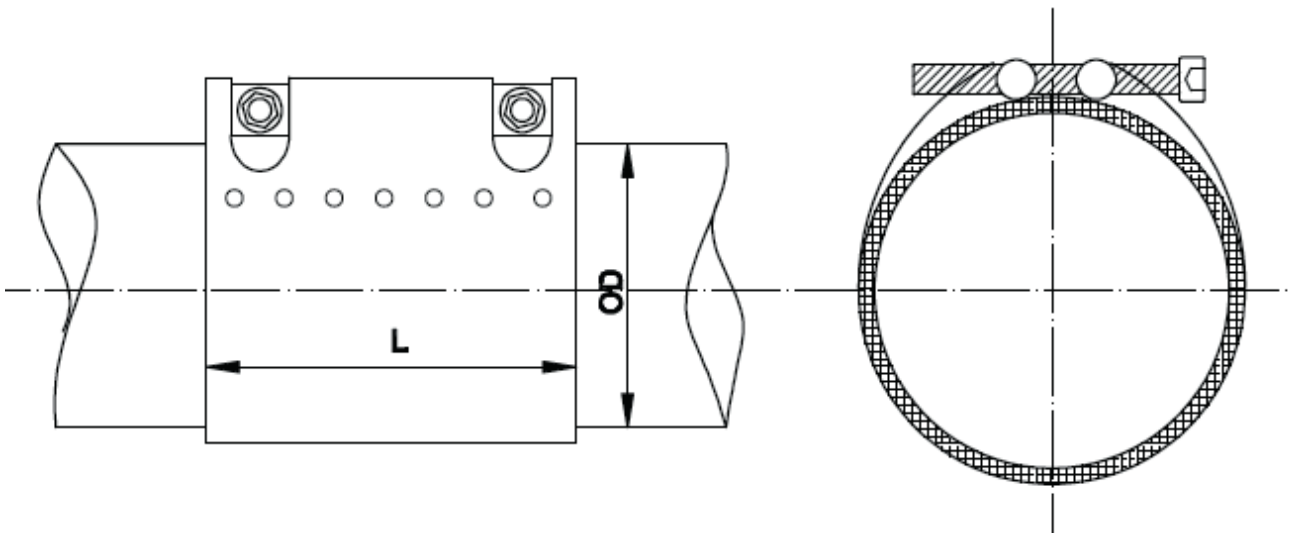
Pressure		
Pipe Outside Diameter (mm)	Working Pressure (bar)	
	Water	Gas
20 - 95	20	5
106 - 219	16	4
237 - 276	10	3

Materials / Components			
Clamping Range	Body	Threads	Sealing Sleeve
10 mm	AISI 304 AISI 316	AISI 304 AISI 316 Steel Galvanized	EPDM (Waffle Type)
			NBR (Waffle Type) optional

SINGLE BODY WAFFLE GASKET BORCLAMP / BAG TYPE OD 40.0 - OD 276.0

Pipe Outside Diameter	Body Width					
	L	L	L	L	L	L
mm	mm	mm	mm	mm	mm	mm
OD	100	150	200	250	300	400
40 - 44	X	X	X	X		
48 - 52	X	X	X	X		
54 - 58	X	X	X	X	X	
60 - 67	X	X	X	X	X	
67 - 74	X	X	X	X	X	X
73 - 77	X	X	X	X	X	X
76 - 83	X	X	X	X	X	X
82 - 89	X	X	X	X	X	X
87 - 94	X	X	X	X	X	X
91 - 98	X	X	X	X	X	X
95 - 102	X	X	X	X	X	X
102 - 112	X	X	X	X	X	X
106 - 116	X	X	X	X	X	X
108 - 118	X	X	X	X	X	X
113 - 123	X	X	X	X	X	X
118 - 128	X	X	X	X	X	X
120 - 131	X	X	X	X	X	X
125 - 135	X	X	X	X	X	X
132 - 142	X	X	X	X	X	X
135 - 145		X	X	X	X	X
145 - 155		X	X	X	X	X

Pipe Outside Diameter	Body Width					
	L	L	L	L	L	L
mm	mm	mm	mm	mm	mm	mm
OD	100	150	200	250	300	400
151 - 161			X	X		
165 - 175			X	X		
170 - 180			X	X	X	
176 - 186			X	X	X	
180 - 190			X	X	X	X
186 - 196			X	X	X	X
193 - 203			X	X	X	X
200 - 210			X	X	X	X
209 - 219			X	X	X	X
215 - 225			X	X	X	X
219 - 229				X	X	X
222 - 232				X	X	X
230 - 240				X	X	X
237 - 247				X	X	X
239 - 249				X	X	X
243 - 253				X	X	X
250 - 260				X	X	X
252 - 262					X	X
261 - 271					X	X
266 - 276					X	X



OD : Pipe Outside Diameter
L : Body Width

Remarks:
Any other size available
Follow fitting / disassembly instructions

TWO PIECE WAFFLE GASKET COUPLING BORCLAMP / BAG OD 88.0 - OD 530.0



Applications:

For all kind of pipes

Technical specification:

Operating pressure up to PN6 / PN10 / PN16

Body:

- AISI304
- AISI316

Locking system:

- steel galvanized - Dacromet 500 (zinc-chromate with integrated lubricant)
- AISI304
- AISI316

Sealing sleeve:

- EPDM -20°C up to 120°C
Medium: water, waste, air, solids chemical products
- NBR - 20°C up to 80°C
Medium: water, gas, oil, fuel and other hydrocarbons

- Safety factor and test pressure according your request
- Radial deformation and vibration absorber
- On axial movement the rubber seal moves with the pipe without any abrasion or any migration
- Body is free of any welding or heat treatment
- Very simple installation

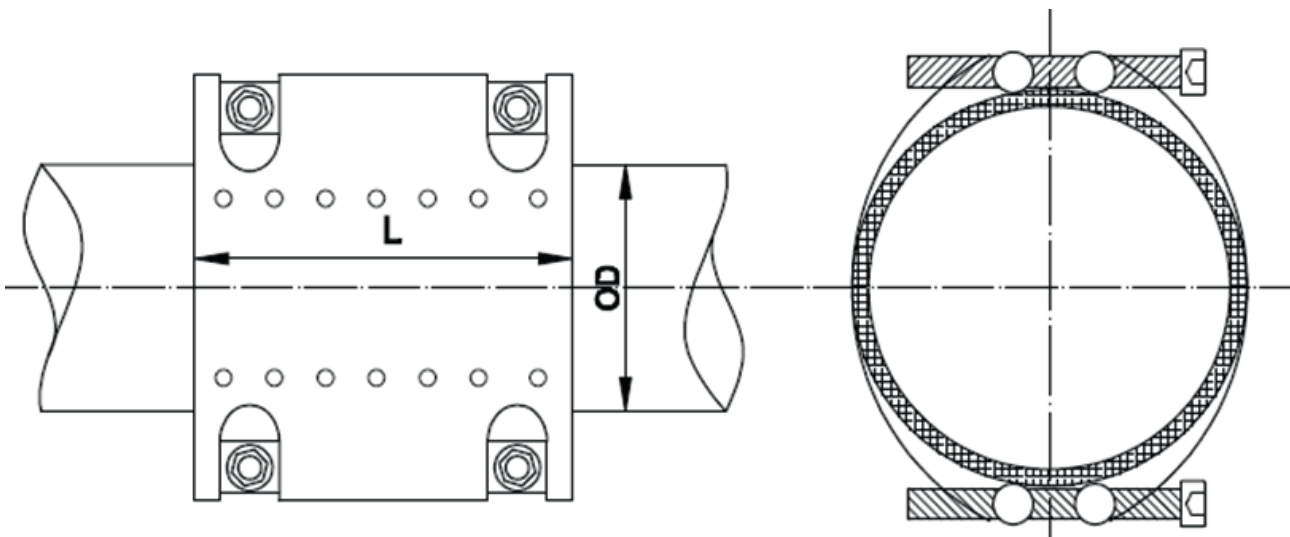
Pressure		
Pipe Outside Diameter (mm)	Working Pressure (bar)	
	Water	Gas
88 - 282	16	4
295 - 530	10	3

Materials / Components			
Clamping Range	Body	Threads	Sealing Sleeve
20 mm	AISI 304 AISI 316	AISI 304 AISI 316 Steel Galvanized	EPDM (Waffle Type)
			NBR (Waffle Type) optional

TWO PIECE WAFFLE GASKET COUPLING BORCLAMP / BAG TYPE OD 88.0 - OD 530.0

Pipe Outside Diameter	Body Width				
	L	L	L	L	L
mm	mm	mm	mm	mm	mm
OD	200	250	300	400	500
88 - 110	X	X	X		
100 - 200	X	X	X		
108 - 128	X	X	X		
114 - 134	X	X	X		
120 - 140	X	X	X		
130 - 150	X	X	X	X	
135 - 155	X	X	X	X	
140 - 160	X	X	X	X	X
159 - 180	X	X	X	X	X
165 - 185	X	X	X	X	X
168 - 189	X	X	X	X	X
170 - 190	X	X	X	X	X
176 - 196	X	X	X	X	X
190 - 210	X	X	X	X	X
195 - 217	X	X	X	X	X
210 - 230	X	X	X	X	X
218 - 238	X	X	X	X	X
225 - 246	X	X	X	X	X
240 - 260	X	X	X	X	X

Pipe Outside Diameter	Body Width				
	L	L	L	L	L
mm	mm	mm	mm	mm	mm
OD	200	250	300	400	500
250 - 270		X	X	X	X
269 - 289		X	X	X	X
273 - 293			X	X	X
282 - 302			X	X	X
295 - 315			X	X	X
315 - 335			X	X	X
322 - 344			X	X	X
337 - 358				X	X
347 - 367				X	X
365 - 386				X	X
382 - 402				X	X
395 - 415				X	X
400 - 420				X	X
410 - 430				X	X
420 - 440				X	X
435 - 455					X
450 - 470					X
468 - 488					X
510 - 530					X



OD : Pipe Outside Diameter
L : Body Width

Remarks:
Any other size available
Follow fitting / disassembly instructions

LIGHT TYPE COUPLING OD 26.9 - OD 315.9



Applications:

For all kind of pipes

Technical specification:

Operating pressure up to PN6 / PN10 / PN16

Body:

- AISI304
- AISI316

Locking system:

- steel galvanized - Dacromet 500 (zinc-chromate with integrated lubricant)
- AISI304
- AISI316

Sealing sleeve:

- EPDM -20°C up to 120°C
Medium: water, waste, air, solids
chemical products
- NBR - 20°C up to 80°C
Medium: water, gas, oil, fuel and
other hydrocarbons



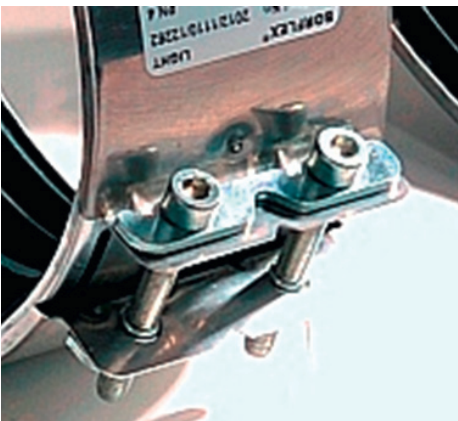
- Safety factor and test pressure according your request

- Radial deformation and vibration absorber

- On axial movement the rubber seal moves with the pipe without any abrasion or any migration

- Body is free of any welding or heat treatment

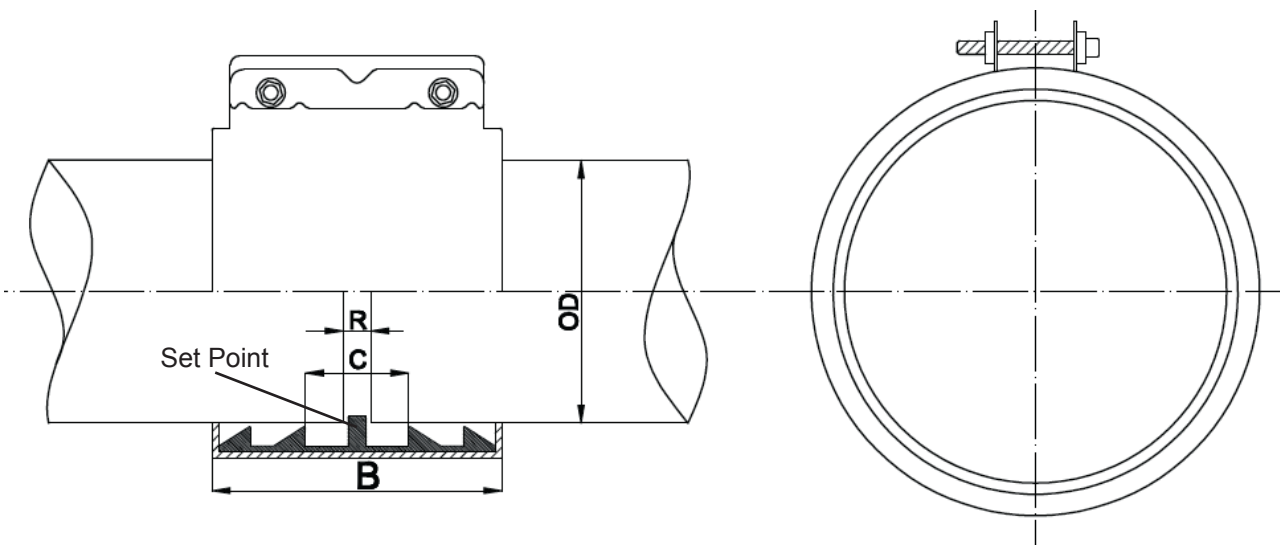
- Very simple installation



LIGHT TYPE COUPLING OD 26.9 - OD 315.9

Pipe Outside Diameter	Clamping Range	Nominal Pressure	Dimensions	
			B	C
OD	Min.-Max.	PN	Body width	Gap
mm	mm	bar	mm	mm
26.9	26.0 - 28.0	4	56	20
30.0	29.0 - 31.0	4	56	20
33.7	33.0 - 35.0	4	56	20
38.0	38.0 - 39.0	4	76	36
42.4	42.0 - 45.0	4	76	36
44.5	44.0 - 46.0	4	76	36
48.3	47.0 - 49.5	4	76	36
54.0	52.5 - 55.5	4	76	36
57.0	55.5 - 58.5	4	76	36
60.3	59.0 - 61.5	4	76	36
73.0	71.5 - 74.5	4	105	54
76.1	74.5 - 77.5	4	105	54
84.0	82.5 - 85.5	4	105	54
88.9	87.5 - 90.5	4	105	54
100.6	99.0 - 102.5	4	105	54
101.6	100.0 - 103.5	4	105	54
104.0	102.5 - 105.5	4	105	54

Pipe Outside Diameter	Clamping Range	Nominal Pressure	Dimensions	
			B	C
OD	Min.-Max.	PN	Body width	Gap
mm	mm	bar	mm	mm
108.0	106.5 - 109.5	4	105	54
114.3	112.5 - 116.0	4	105	54
127.0	125.0 - 129.0	4	120	67
129.0	127.0 - 131.0	4	120	67
133.0	131.0 - 135.0	4	120	67
139.7	138.0 - 141.5	4	120	67
154.0	152.0 - 156.0	4	120	67
159.0	157.0 - 161.0	4	120	67
168.3	166.0 - 179.5	4	120	67
180.0	178 - 182	4	120	67
200.0	198 - 202	4	210	107
219.1	217 - 222	4	210	107
234.0	231 - 236	4	210	107
250.0	248 - 253	4	210	107
273.0	270 - 276	4	210	107
288.0	285 - 291	4	210	107
315.9	311 - 321	4	210	107



OD : Pipe Outside Diameter
 B : Body Width
 C : Gap between sealing lips
 Rmax. : Distance between two pipe ends

Remarks:
 Any other size available
 Follow fitting / disassembly instructions



Applications:

For all kind of pipes

Technical specification:

Operating pressure up to PN1 - PN6

Body:

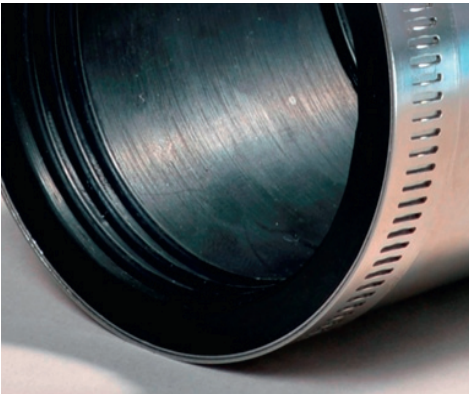
- AISI304
- AISI316

Locking system:

- steel galvanized - Dacromet 500 (zinc-chromate with integrated lubricant)
- AISI304
- AISI316

Sealing sleeve:

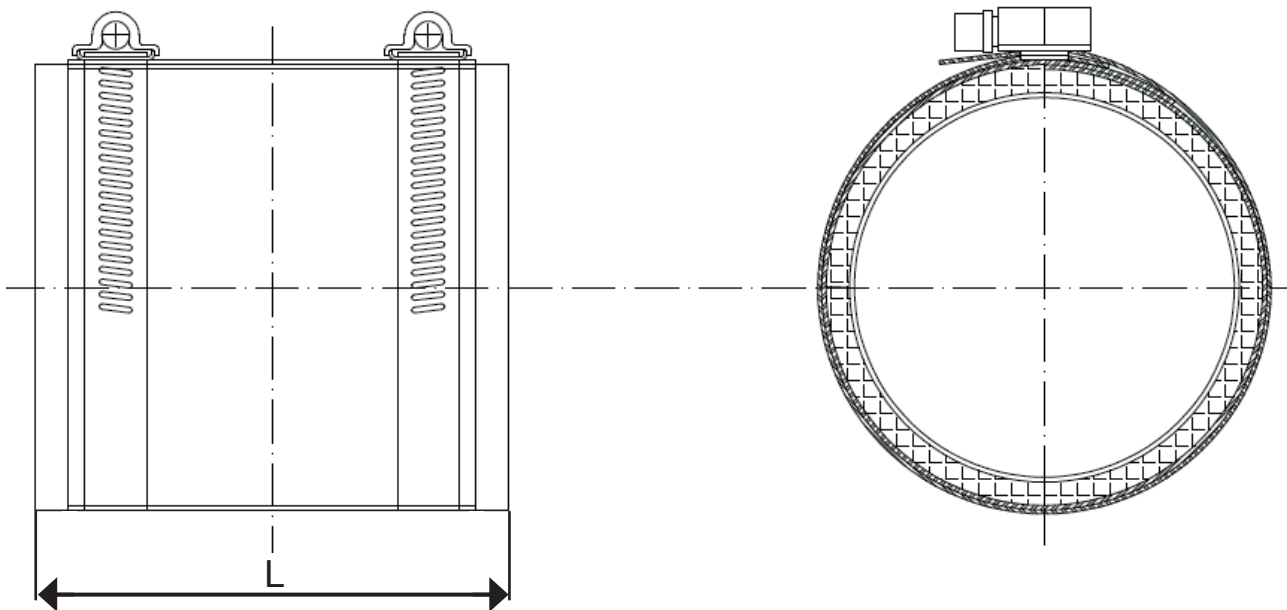
- EPDM -20°C up to 120°C
Medium: water, waste, air, solids
chemical products
- NBR - 20°C up to 80°C
Medium: water, gas, oil, fuel and
other hydrocarbons



- Safety factor and test pressure according your request
- Radial deformation and vibration absorber
- On axial movement the rubber seal moves with the pipe without any abrasion or any migration
- Very simple installation



Dimension	Sealing Sleeve Outside Diameter	Sealing Sleeve Inside Diameter	Body Width	Number of Tension Band
AD	OD	ID	L	pce.
mm	mm	mm	mm	
50	66	54	85	2
63	80	68	85	2
75	93	81	85	2
90	110	93	125	2
110	130	118	125	2
125	145	133	125	4
140	160	148	125	4
160	180	168	125	4
180	200	188	125	4
200	220	208	125	4
225	245	233	125	4
280	300	288	150	4
315	335	323	150	4



Remarks:
Any other size available
Follow fitting / disassembly instructions

EXPANSION COUPLING DN 200.0 - DN 2000.0



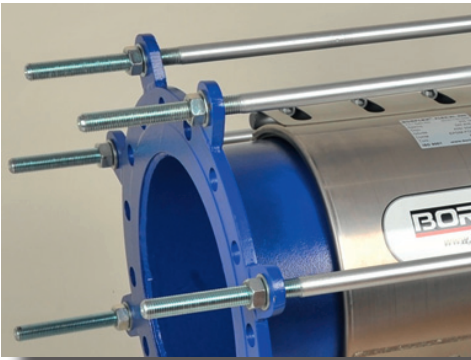
Applications:

For all kind of pipes

Technical specification:

Operating pressure up to PN6 / PN10 / PN16 / PN25

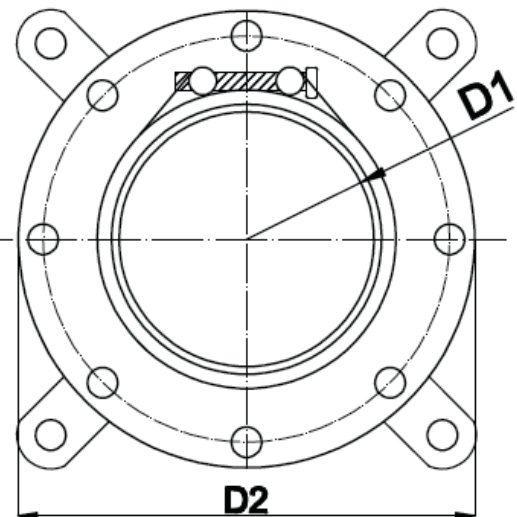
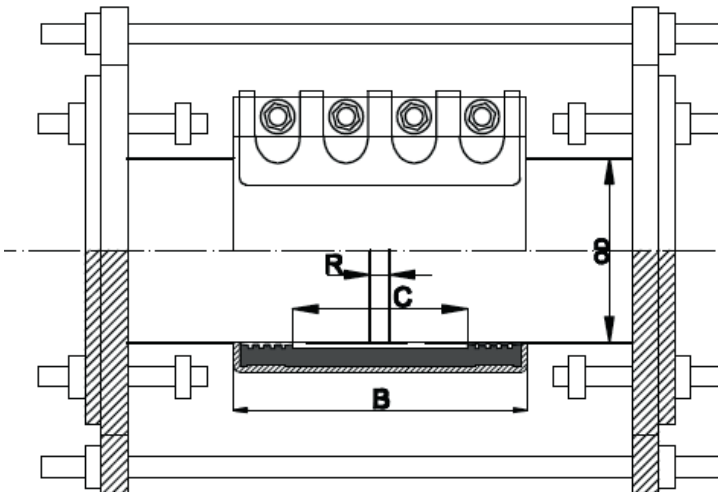
- Specially custom made assembly component to solve elongation and shortening problems
- Adjustable up to 100mm controlled by tie-rods
- Safety factor and test pressure according your request



EXPANSION COUPLING DN 200.0 - DN 2000.0

Pipe Outside Diameter	Nominal Pressure	Dimensions	
		B	C
OD	PN	Body width	Gap
mm	bar	mm	mm
200	6, 10, 16	420	270
250	6, 10, 16	420	270
300	6, 10, 16	420	270
350	6, 10, 16	420	270
400	6, 10, 16	420	270
450	6, 10, 16	420	270
500	6, 10, 16	420	270
600	6, 10, 16	420	270
700	6, 10, 16	420	270

Pipe Outside Diameter	Nominal Pressure	Dimensions	
		B	C
OD	PN	Body width	Gap
mm	bar	mm	mm
800	6, 10, 16	420	270
900	6, 10, 16	420	270
1000	6, 10, 16	420	270
1200	6, 10, 16	420	270
1400	6, 10, 16	420	270
1600	6, 10, 16	420	270
1800	6, 10, 16	420	270
2000	6, 10, 16	420	270

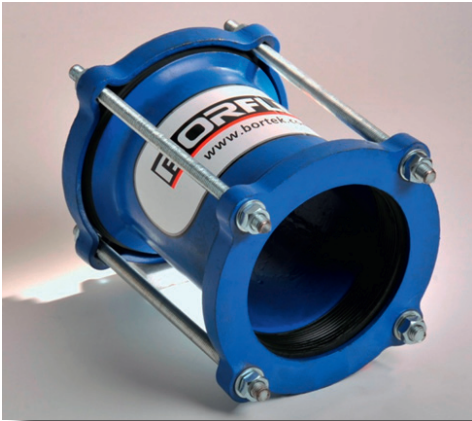


Remarks:

Any other size available

Follow fitting / disassembly instructions

PIPE ADAPTOR OD 90.0 - OD 600.0



Applications:

For all kind of pipes

Technical specification:

Operating pressure up to PN6 / PN10 / PN16

Body:

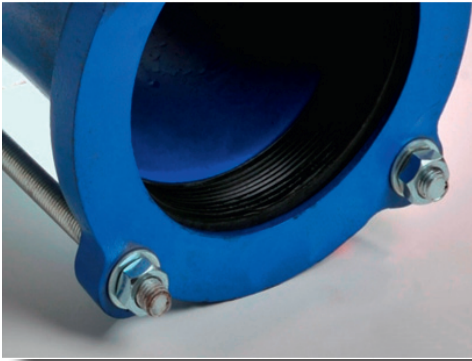
- GGG40

Locking system:

- steel galvanized - Dacromet 500
(zinc-chromate with integrated lubricant)

Sealing sleeve:

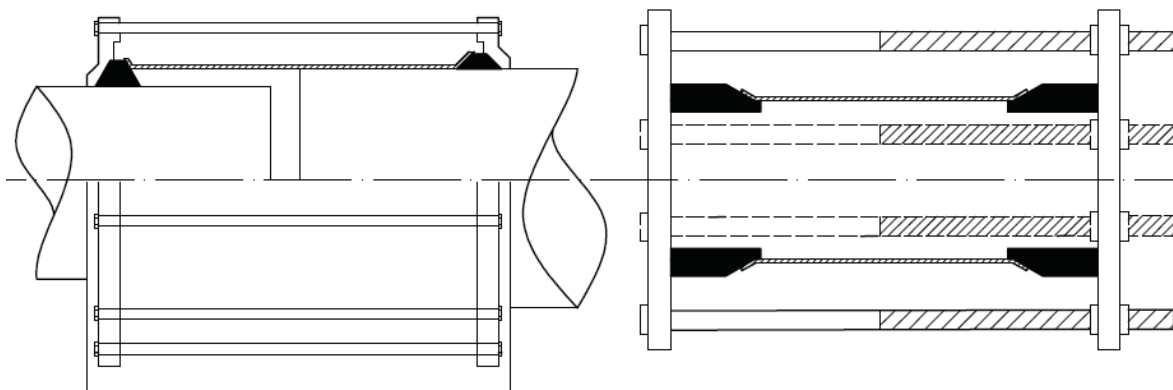
- EPDM -20°C up to 120°C
Medium: water, waste, air, solids
chemical products



- To connect two different diameters of pipe
- Safety factor and test pressure according your request
- Simple installation



Clamping Range		Dimensions						
OD min	OD max	D	Flange Thickness	Body Thickness	Body Width	Weight	Nominal Pressure	Bolts
mm	mm	mm	mm	mm	mm	kg	PN	
90	100	197	10	3	250	5.10	16	8 x M12
110	132	229	10	3	250	5.90	16	8 x M12
145	170	267	10	3	250	7.30	16	8 x M12
168	190	287	10	3	250	8.18	16	8 x M12
200	220	320	10	3.5	250	10.50	16	8 x M12
222	252	352	10	3.5	250	11.90	16	8 x M12
273	288	388	10	3.5	250	14.10	16	12 x M12
296	326	426	10	3.5	250	15.10	16	12 x M12
324	344	444	10	3.5	250	17.25	16	12 x M12
355	378	478	10	3.5	250	20.10	16	12 x M12
390	406	520	10	3.5	250	24.20	16	16 x M14
406	429	544	12	3.5	250	27.10	16	16 x M14
429	456	570	12	3.5	250	30.70	16	16 x M14
472	490	604	12	3.5	250	33.70	16	16 x M14
532	568	682	12	3.5	250	36.50	16	16 x M14
574	586	700	12	3.5	250	42.00	16	16 x M14



Remarks:

Any other size available

Follow fitting / disassembly instructions

PIPE ADAPTER WITH REDUCER OD 90.0 - OD 600.0



Applications:

For all kind of pipes

Technical specification:

Operating pressure up to PN6 / PN10 / PN16

Body:

- GGG40

Locking system:

- steel galvanized - Dacromet 500
(zinc-chromate with integrated lubricant)

Sealing sleeve:

- EPDM -20°C up to 120°C
Medium: water, waste, air, solids
chemical products

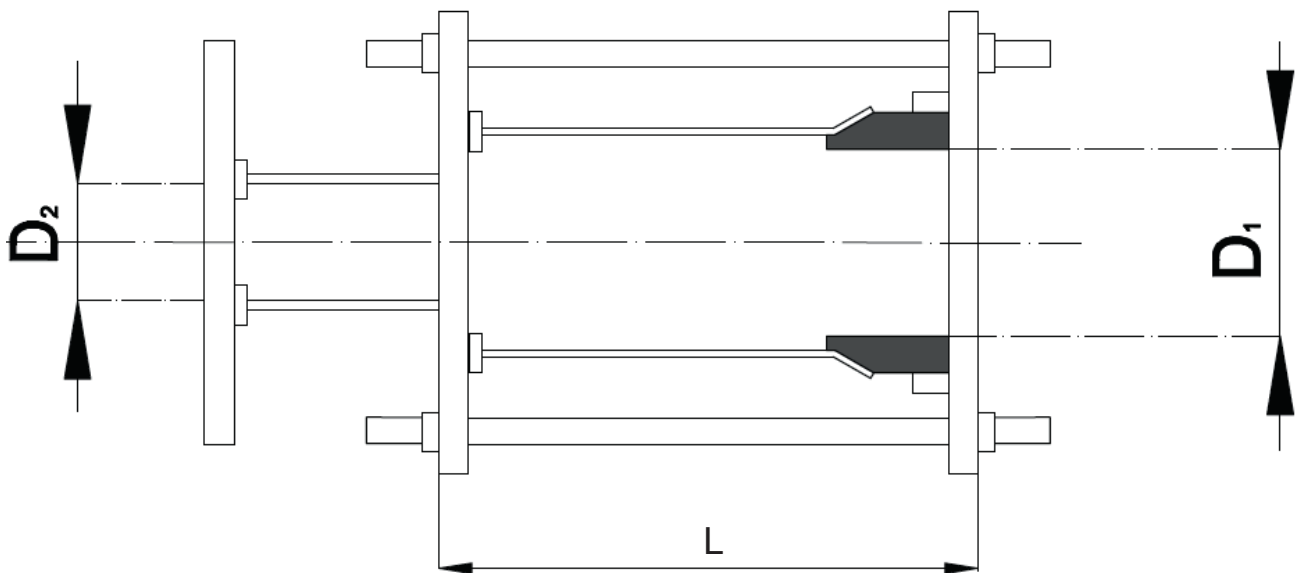


- To connect on one side with flange and on the other side with smaller diameter of pipe
- Safety factor and test pressure according your request
- Simple installation



PIPE ADAPTER WITH REDUCER OD 90.0 - OD 600.0

Clamping Range		Dimensions						
OD min	OD max	D	Flange Thickness	Body Thickness	Body Width	Weight	Nominal Pressure	Bolts
mm	mm	mm	mm	mm	mm	kg	PN	
90	100	197	10	3	250	5.10	16	8 x M12
110	132	229	10	3	250	5.90	16	8 x M12
145	170	267	10	3	250	7.30	16	8 x M12
168	190	287	10	3	250	8.18	16	8 x M12
200	220	320	10	3.5	250	10.50	16	8 x M12
222	252	352	10	3.5	250	11.90	16	8 x M12
273	288	388	10	3.5	250	14.10	16	12 x M12
296	326	426	10	3.5	250	15.10	16	12 x M12
324	344	444	10	3.5	250	17.25	16	12 x M12
355	378	478	10	3.5	250	20.10	16	12 x M12
390	406	520	10	3.5	250	24.20	16	16 x M14
406	429	544	12	3.5	250	27.10	16	16 x M14
429	456	570	12	3.5	250	30.70	16	16 x M14
472	490	604	12	3.5	250	33.70	16	16 x M14
532	568	682	12	3.5	250	36.50	16	16 x M14
574	586	700	12	3.5	250	42.00	16	16 x M14



Remarks:

Any other size available

Follow fitting / disassembly instructions

APPLICATIONS





most efficient way to connect two pipes



N° TR30598



BORTEK®.com

Head office:

BORTEK Ltd.

BOSB Mustafa Kutoglu Cad. No.11

TR - 34524 Beylikdüzü / İSTANBUL

Phone: + 90 212 875 99 22 / +90 212 879 03 68

Fax: +90 212 876 55 26

www.bortek.com / bortek@bortek.com.tr

EUROPE office:

TORGEN (Switzerland) GmbH

Kesselstrasse 2

CH - 8957 Spreitenbach

Phone: + 41 56 419 71 00

Fax: +41 56 419 71 09

www.torgen.com / torgen@torgen.ch